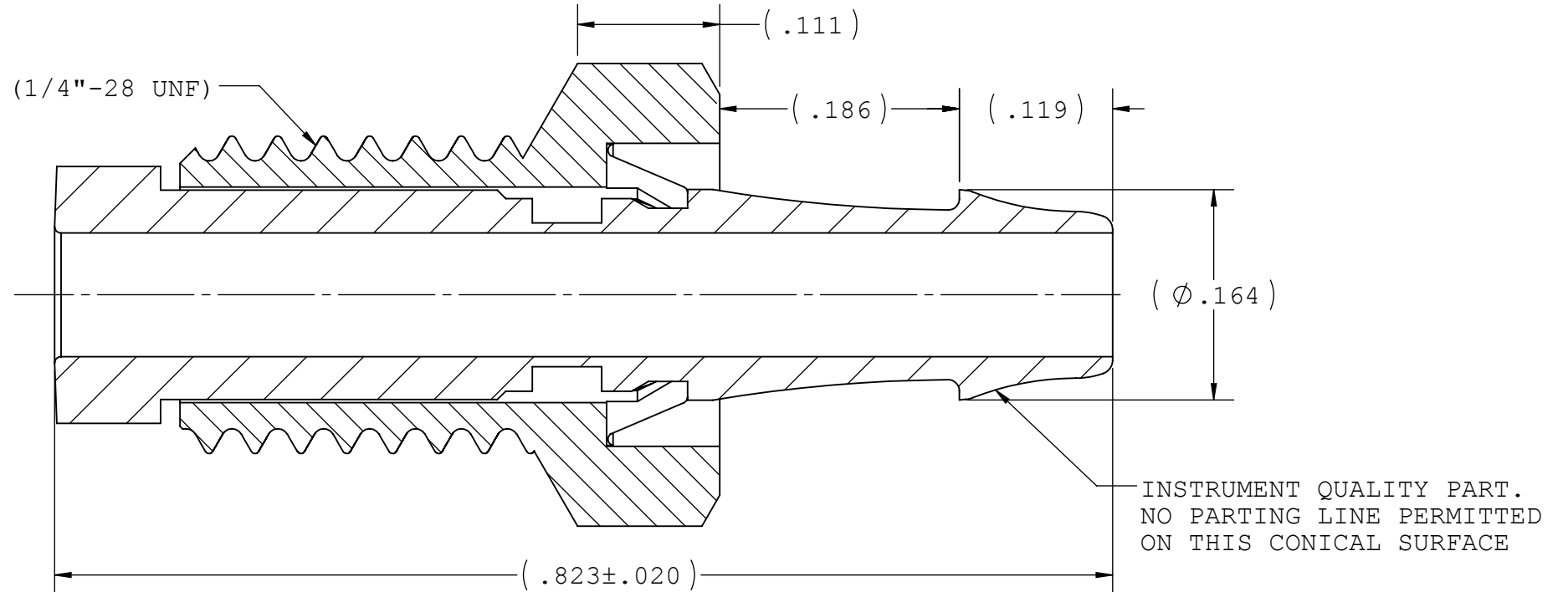
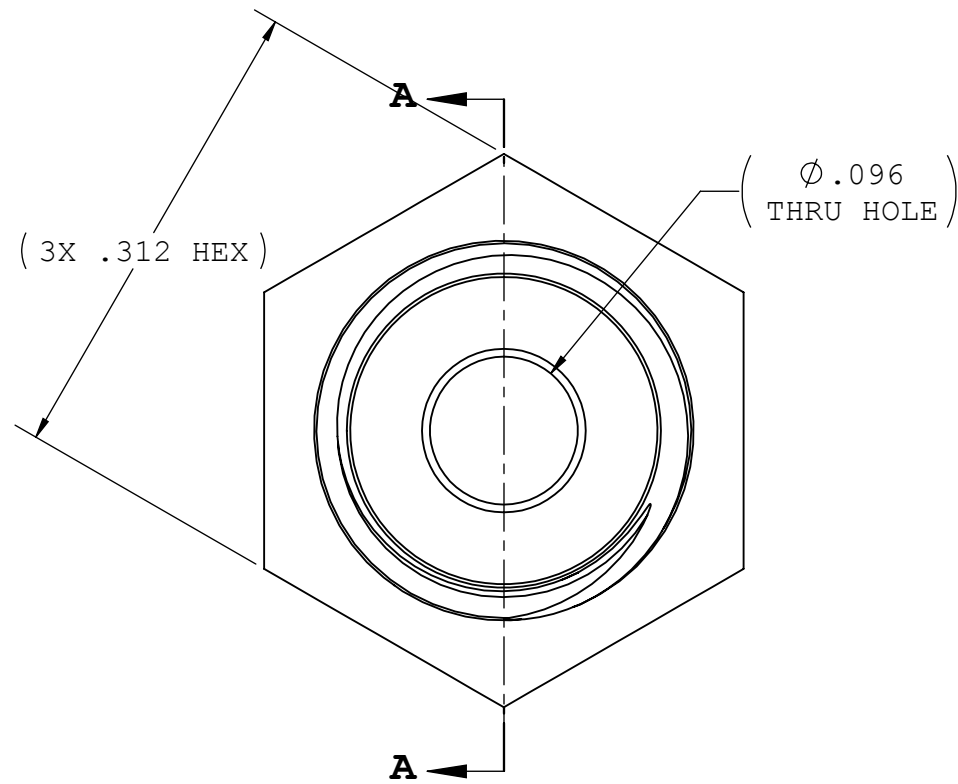


NOTES: FOR ADDITIONAL DETAILS, PLEASE CONTACT VP CUSTOMER SERVICE
DIMENSIONS MARKED \square ARE CONTROL DIMENSIONS

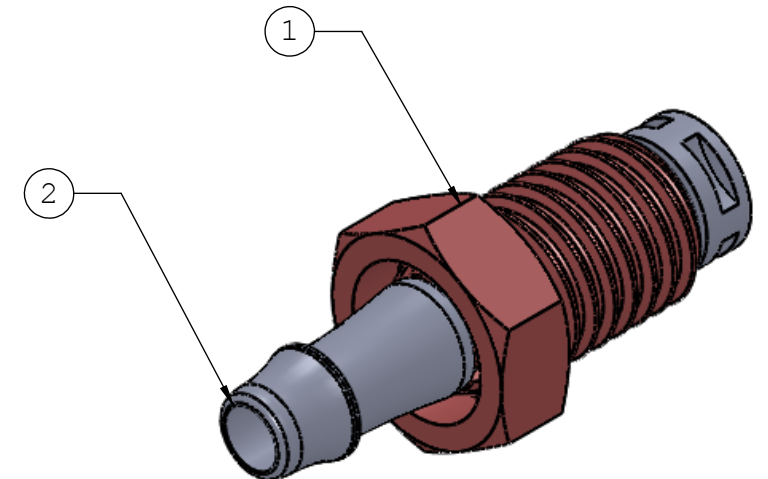
REVISIONS			
REV.	DESCRIPTION	DATE	APPROVED
A	INITIAL RELEASE	06-12-01	
B	CO 15 Drafting Update	07-11-05	Rick C.
C	ECO 168 - ADDED MATERIAL COMBINATION	06-18-10	S.N.R



ITEM NO.	PART NUMBER	DESCRIPTION	QTY.
1	RS	Rotating 1/4-28 UNF Thread	1
2	BSUB013		1

SECTION A-A

Material Identification			
Assembly Number	Item 1 (RS) Material	Item 2 (BSUB013) Material	Description
ABR013-20-1	White Nylon	Kynar PVDF	ABR013 White Nylon over Kynar PVDF
ABR013-20-2	Black Nylon	Kynar PVDF	ABR013 Black Nylon over Kynar PVDF
ABR013-20-3	Red Nylon	Kynar PVDF	ABR013 Red Nylon over Kynar PVDF
ABR013-20-4	Green Nylon	Kynar PVDF	ABR013 Green Nylon over Kynar PVDF
ABR013-20-5	Blue Nylon	Kynar PVDF	ABR013 Blue Nylon over Kynar PVDF
ABR013-6-1	White Nylon	Polypropylene	ABR013 White Nylon over Polypropylene
ABR013-6-2	Black Nylon	Polypropylene	ABR013 Black Nylon over Polypropylene
ABR013-6-3	Red Nylon	Polypropylene	ABR013 Red Nylon over Polypropylene
ABR013-6-4	Green Nylon	Polypropylene	ABR013 Green Nylon over Polypropylene
ABR013-6-5	Blue Nylon	Polypropylene	ABR013 Blue Nylon over Polypropylene
ABR013-J1A-1	White Nylon	Kynar PVDF	ABR013 White Nylon over Kynar PVDF
ABR013-J1A-2	Black Nylon	Kynar PVDF	ABR013 Black Nylon over Kynar PVDF
ABR013-J1A-3	Red Nylon	Kynar PVDF	ABR013 Red Nylon over Kynar PVDF
ABR013-J1A-4	Green Nylon	Kynar PVDF	ABR013 Green Nylon over Kynar PVDF
ABR013-J1A-5	Blue Nylon	Kynar PVDF	ABR013 Blue Nylon over Kynar PVDF
ABR013-J1A-J1A	Kynar PVDF	Kynar PVDF	ABR013 Kynar PVDF over Kynar PVDF
ABR013-62-2	Black Nylon	Black Polypropylene	ABR013 Black Nylon over Black Polypropylene



UNLESS OTHERWISE SPECIFIED DIMENSIONS ARE IN INCHES TOLERANCES ARE:		VALUE PLASTICS, INC			
FRACTIONS DECIMAL ANGULAR ± .XX ±.01 ± 1° .XXX ±.005 .XXXX ±.001		PART NUMBER: ABR013			
DO NOT SCALE DRAWING		DESCRIPTION: 1/4-28 UNF BOTTOM SEALING ROTATING THREAD WITH 5/16" HEX TO 500 SERIES BARB, 1/8" 3MM) TUBING			
DRAWN BY: kyles	DATE: 7/15/2010	SIZE: B	SCALE: NTS	VER: C	DWG. NO. 1006915
NEW PRODUCT DEVELOPMENT MGR: R. Narayanan		© 2009 VALUE PLASTICS, INC			SHEET: 1 OF 1

FOR REFERENCE ONLY