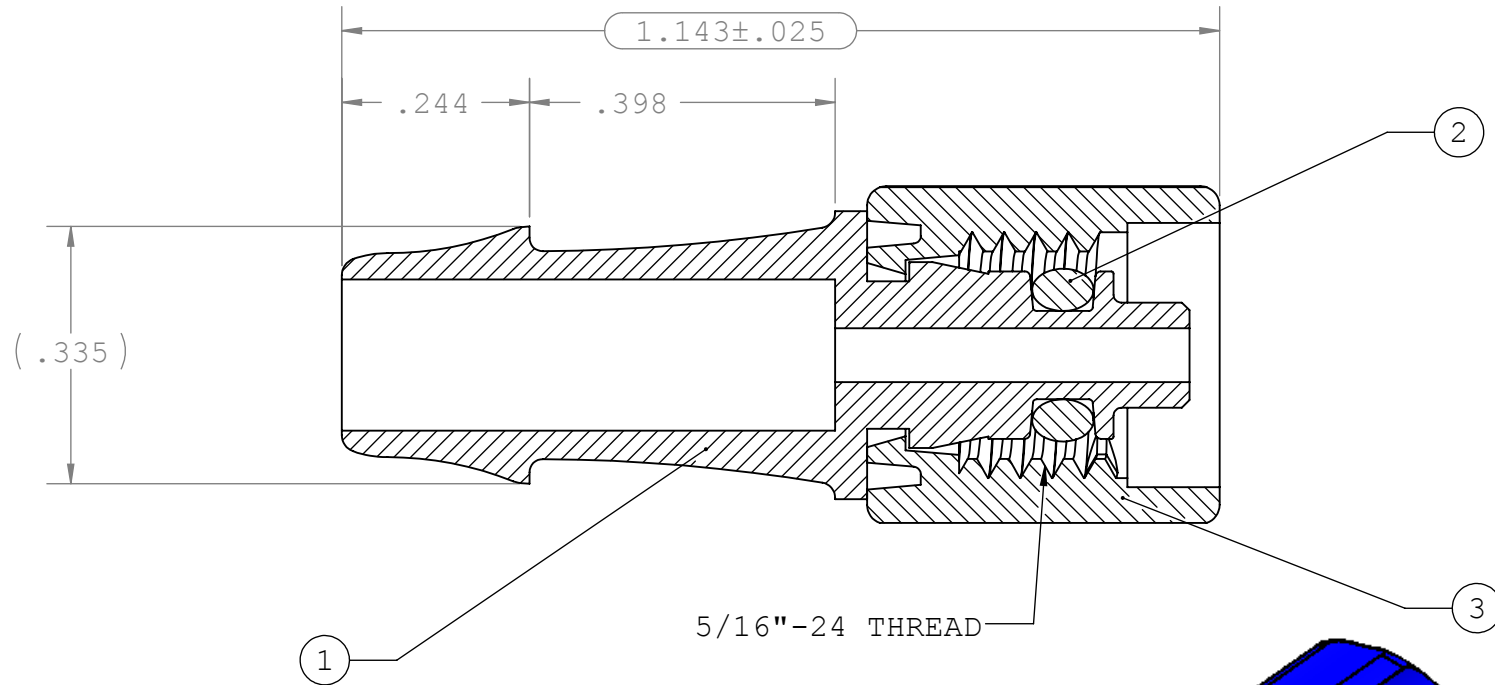
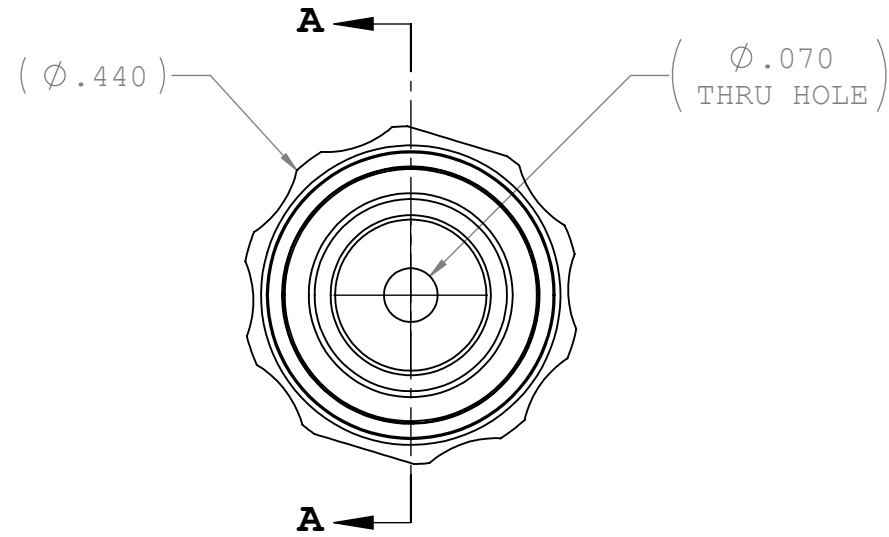
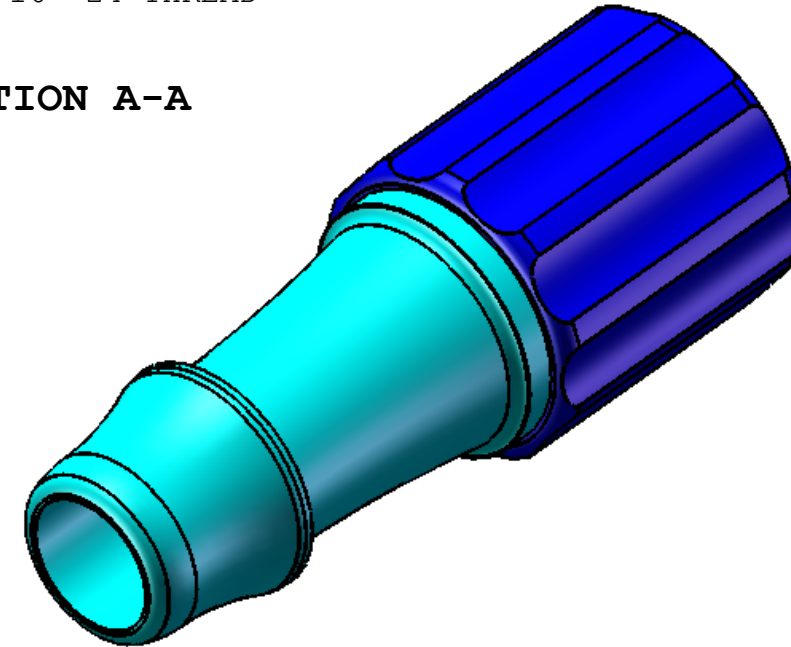


NOTES: FOR ADDITIONAL DETAILS, PLEASE CONTACT VP NEW PRODUCT DEVELOPMENT  
 DIMENSIONS MARKED  ARE CONTROL DIMENSIONS

| REVISIONS |                        |          |           |
|-----------|------------------------|----------|-----------|
| REV.      | DESCRIPTION            | DATE     | APPROVED  |
| A         | Initial Release        | 07-27-00 |           |
| B         | CO 018 Drafting Update | 07-11-05 | R. Cairns |
| C         | ECO 176, O-Ring        | 10-8-10  | S.N.R     |
| D         | ECO 198, Drafting      | 06-23-11 | R. Cairns |



**SECTION A-A**



| Assembly Part Number | Item 1 (BPI055) Material | Item 2 (AC1000113) Material | Item 3 (BPN) Material | Description                         |
|----------------------|--------------------------|-----------------------------|-----------------------|-------------------------------------|
| BPA055-001           | White Nylon              | Black BunaN Rubber          | Black Nylon           | BPA055 Black Nylon over White Nylon |
| BPA055-002           | Black Nylon              | Black BunaN Rubber          | Black Nylon           | BPA055 Black Nylon over Black Nylon |
| BPA055-003           | Gray Nylon               | Black BunaN Rubber          | Gray Nylon            | BPA055 Gray Nylon over Gray Nylon   |

|   |  |                            |  |           |                     |
|---|--|----------------------------|--|-----------|---------------------|
| UNLESS OTHERWISE SPECIFIED<br>DIMENSIONS ARE IN INCHES<br>TOLERANCES ARE: |  | <b>VALUE PLASTICS, INC</b> |  |           |                     |
| FRACTIONS<br>±  | DECIMAL<br>.XX ±.01<br>.XXX ±.005<br>.XXXX ±.001 | ANGULAR<br>± 1°            | PART NUMBER:<br>BPA055   |           |                     |
| DO NOT SCALE DRAWING  |  |                            | DESCRIPTION:<br>Blood Pressure Adapter with Internal 5/16-24 UNF Thread and O-Ring to 500 Series Barb, 1/4" (6.4 mm) ID Tubing |           |                     |
| DRAWN BY:<br>T. Whitaker  | DATE:<br>10/05/2010                              | SIZE:<br><b>B</b>          | SCALE:<br>NTS  | VER:<br>D | DWG. NO.<br>1006853 |
| MANAGER:<br>R. Narayanan  |  | © 2011 VALUE PLASTICS, INC |  |           | SHEET:<br>1 OF 1    |