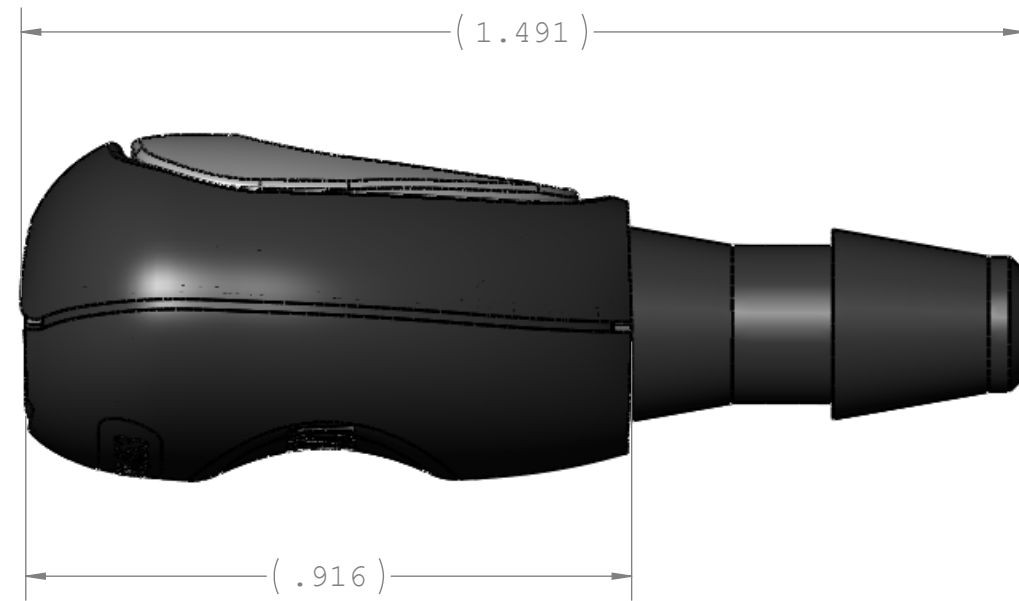
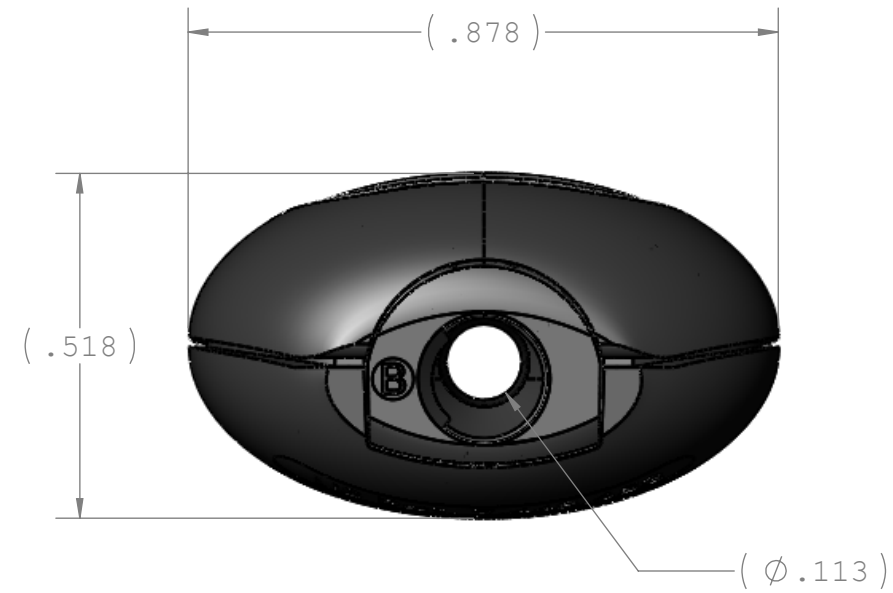


NOTES: FOR MORE DETAILS SEE YOUR V.P. SERVICE REP.

REVISIONS			
REV.	DESCRIPTION	DATE	APPROVED
A	INITIAL RELEASE	01-17-06	RICK C.
B	CO 055 ADDED SKIRT TO BUTTON	02-09-07	RICK C.
C	REDRAWN IN SOLIDWORKS; ECO 092 CHANGES INCORPORATED	12-8-08	S.N.R
D	UPDATED ASSEMBLY COMPONENTS AND MATES PER ECO 107	03-13-09	S.N.R
E	CHANGE ALL DIMENSIONS TO REFERENCE PER ECO 136	06-16-2009	S.N.R
F	ECO 142	03-29-10	S.N.R



UNLESS OTHERWISE SPECIFIED DIMENSIONS ARE IN INCHES TOLERANCES ARE:		<b>VALUE PLASTICS, INC</b>			
FRACTIONS    DECIMAL    ANGULAR ±            .XX ±.01            ± 1° .XXX ±.005 .XXXX ±.001		PART NUMBER: BPF250			
DO NOT SCALE DRAWING		DESCRIPTION: Bayonet-Style Female Quick Connect Fitting, 200 Series Barb, 3/16" (4.8 mm) ID Tubing			
DRAWN BY: Frank.Lombardi	DATE: 3/29/2010	SIZE: <b>B</b>	SCALE: NTS	VER: 	DWG. NO. 1008125
NEW PRODUCT DEVELOPMENT MGR: R. Narayanan		© 2008 VALUE PLASTICS, INC			REV F
				SHEET: 1 OF 1	

**FOR REFERENCE ONLY**