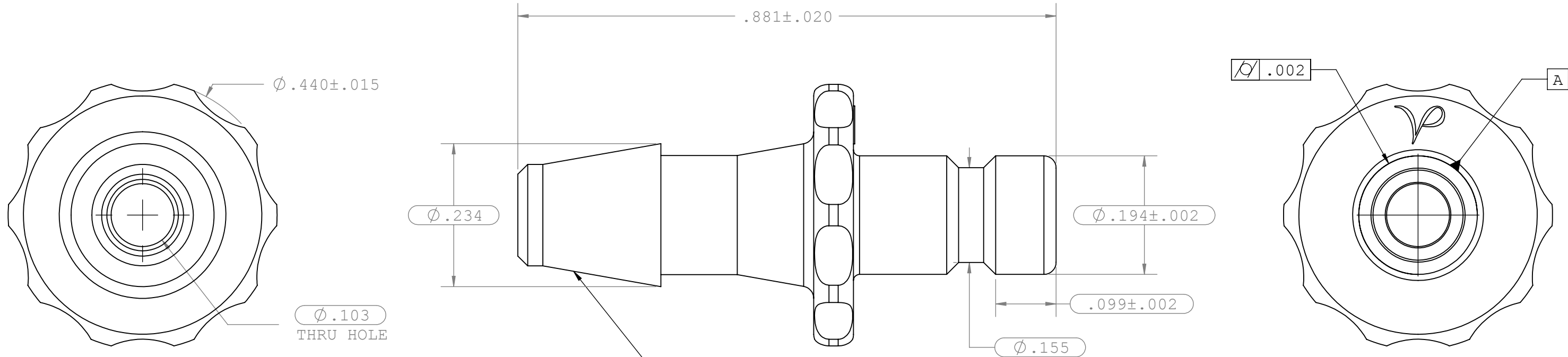
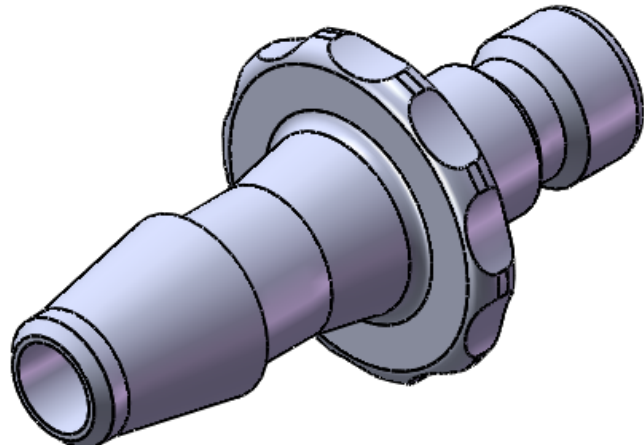


NOTES: FOR MORE DETAILS SEE YOUR V.P. SERVICE REP.

REVISIONS			
REV.	DESCRIPTION	DATE	APPROVED
A	INITIAL RELEASE	04-21-05	
B	CO 024 Drafting Update	10-04-05	Rick C.
C	ECO 104	12-11-08	S.N.R
D	ECO 175	08-27-10	S.N.R



INSTRUMENT QUALITY PART. NO PARTING LINE PERMITTED ON THIS CONICAL SURFACE



UNLESS OTHERWISE SPECIFIED DIMENSIONS ARE IN INCHES TOLERANCES ARE:		VALUE PLASTICS, INC			
FRACTIONS	DECIMAL				
± .XX	± .01	± 1°	DESCRIPTION:	Blood Pressure Monitor Connector Bayonet to 200 Series Barb, 5/32" (4 mm) ID Tubing	
± .XXX	± .005		SIZE:	B	
± .XXXX	± .001		SCALE:	NTS	
DO NOT SCALE DRAWING		VER:	DWG. NO.	1007481	
DRAWN BY:	DATE:	REV:		D	
Frank.Lombardi	8/30/2010				
NEW PRODUCT DEVELOPMENT MGR:		© 2008 VALUE PLASTICS, INC		SHEET: 1 OF 1	
R. Narayanan					

FOR REFERENCE ONLY