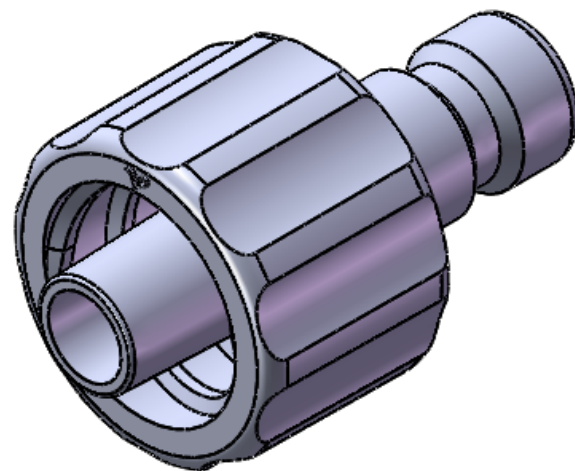
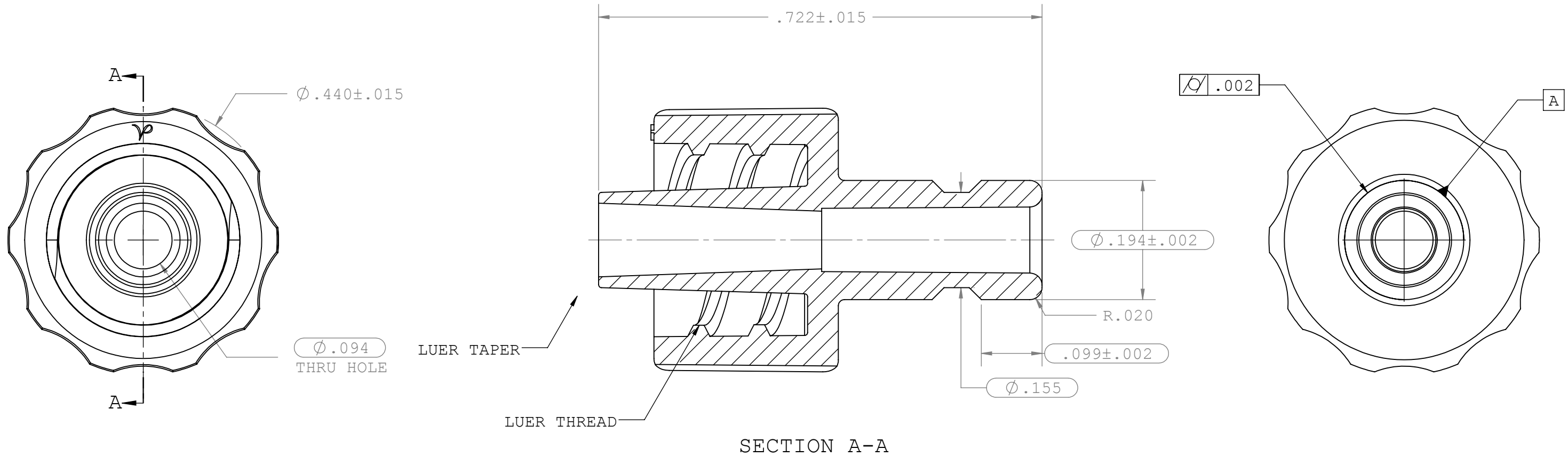


NOTES: FOR MORE DETAILS SEE YOUR V.P. SERVICE REP.

REVISIONS			
REV.	DESCRIPTION	DATE	APPROVED
A	INITIAL RELEASE	04-21-05	
B	CO 018 Drafting Update	09-09-05	Rick C.
C	ECO 104	02-02-09	S.N.R
D	ECO 175	08-27-10	S.N.R



UNLESS OTHERWISE SPECIFIED DIMENSIONS ARE IN INCHES TOLERANCES ARE:		VALUE PLASTICS, INC			
FRACTIONS DECIMAL ANGULAR ± .XX ±.01 ± 1° .XXX ±.005 .XXXX ±.001		PART NUMBER: BPMMTLL			
DO NOT SCALE DRAWING		DESCRIPTION: Blood Pressure Monitor Connector Bayonet to Male Luer Integral Lock Ring			
DRAWN BY: Frank.Lombardi	DATE: 8/30/2010	SIZE: B	SCALE: NTS	VER:	DWG. NO. 1006879
NEW PRODUCT DEVELOPMENT MGR: R. Narayanan		© 2008 VALUE PLASTICS, INC			REV D
				SHEET:	1 OF 1

FOR REFERENCE ONLY