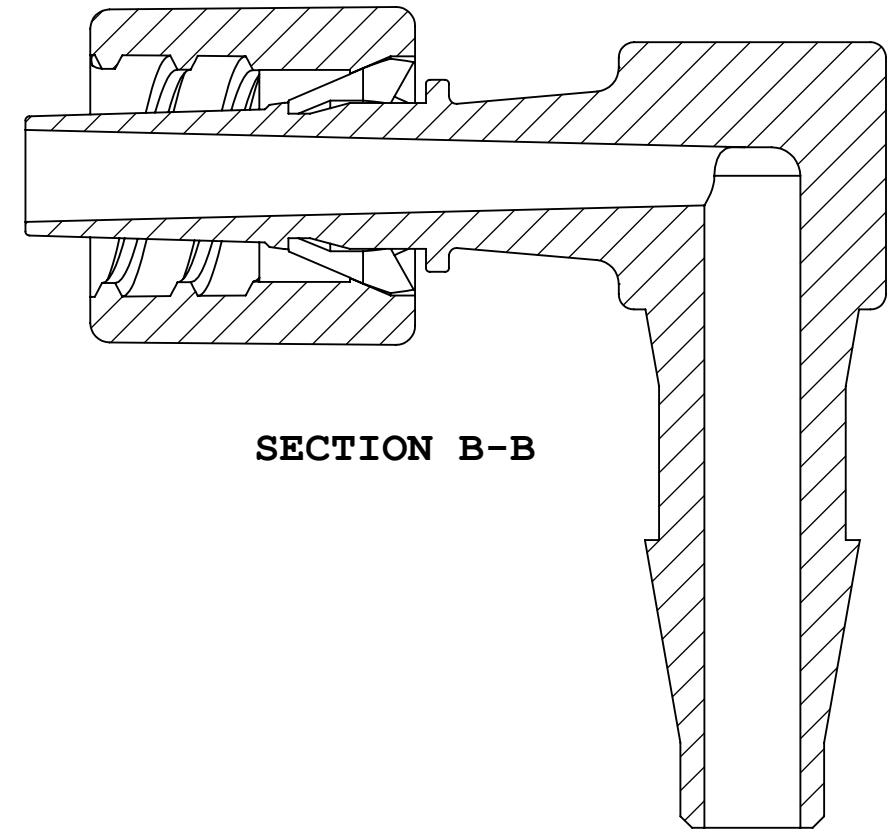
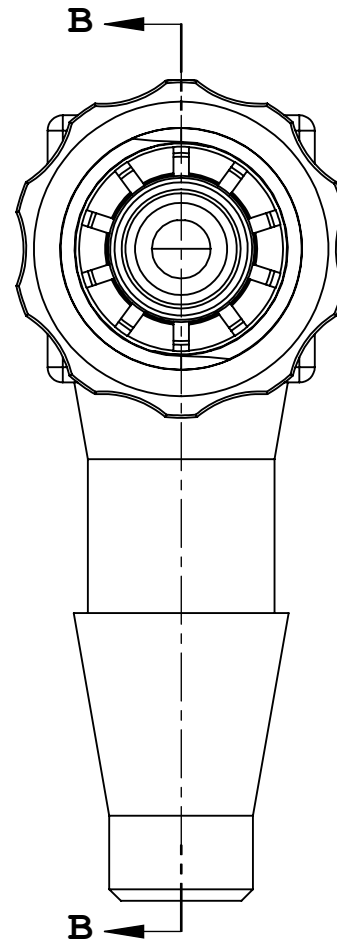
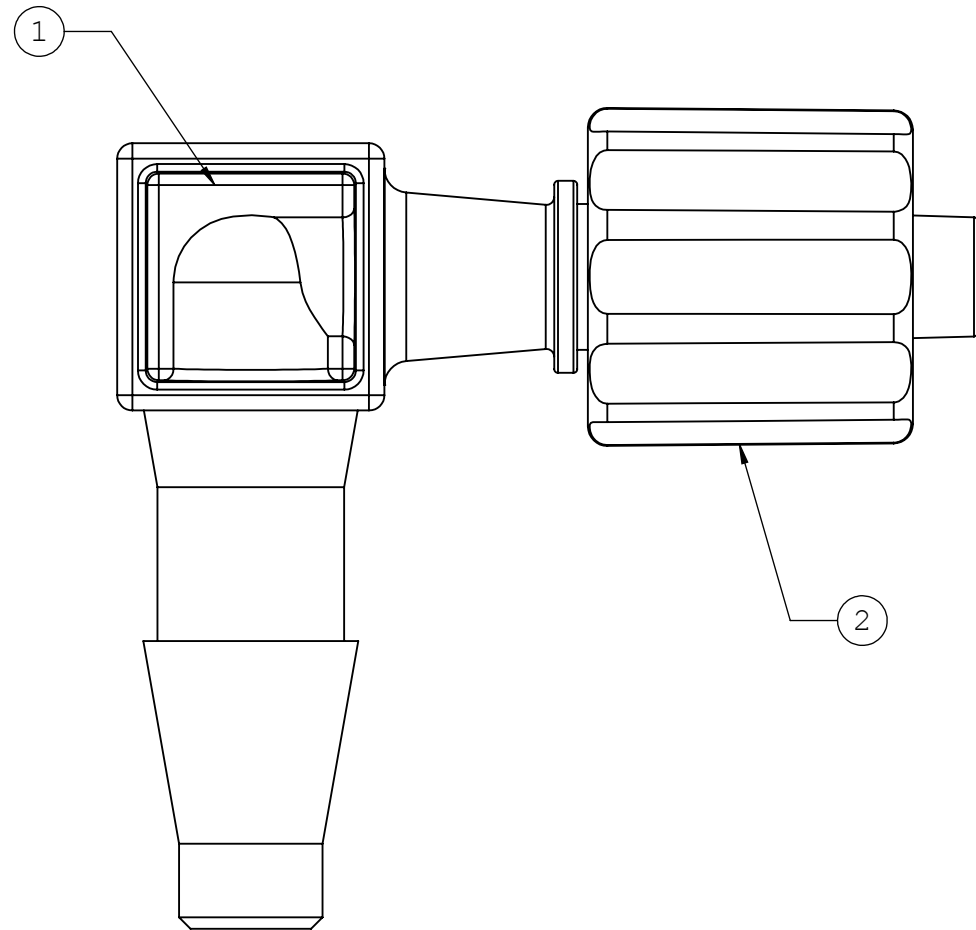


NOTES: FOR ADDITIONAL DETAILS, PLEASE CONTACT VP CUSTOMER SERVICE

REVISIONS			
REV.	DESCRIPTION	DATE	APPROVED
A	Initial Release	05/18/04	
B	CO 59 CA Drafting Update	03/14/07	Rick C.
C	Added CA091-002 and ECO 144	08/31/09	Rick C.



Assembly Number	Item Number	Part Number	Description	QTY.
CA091-001	1	CF361-9002	Male Luer to Classic Series Barb Elbow, 3/16" (4.75mm) ID Tubing, Radiation Stable Polycarbonate	1
	2	FSLLR-9002	Finger Snap Luer Lock Ring, Radiation Stable Polycarbonate	1
CA091-002	1	CF361-9	Male Luer to Classic Series Barb Elbow, 3/16" (4.75mm) ID Tubing, Polycarbonate	1
	2	FSLLR-9	Finger Snap Luer Lock Ring, Polycarbonate	1

UNLESS OTHERWISE SPECIFIED DIMENSIONS ARE IN INCHES TOLERANCES ARE:		<b>VALUE PLASTICS, INC</b>			
FRACTIONS ±	DECIMAL .XX ±.01 .XXX ±.005 .XXXX ±.001	ANGULAR ± 1°	PART NUMBER: CA091		
DO NOT SCALE DRAWING			DESCRIPTION: Custom Assembly CF361 with FSLLR		
DRAWN BY: MICHELE SCHENK	DATE: 8/31/2009	SIZE: <b>B</b>	SCALE: NTS	VER: C	DWG. NO. 1010550
ENGINEERING MANAGER: RICK CAIRNS		© 2009 VALUE PLASTICS, INC		SHEET: 1 OF 1	

**FOR REFERENCE ONLY**