
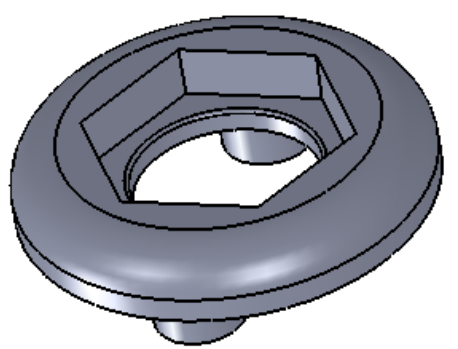
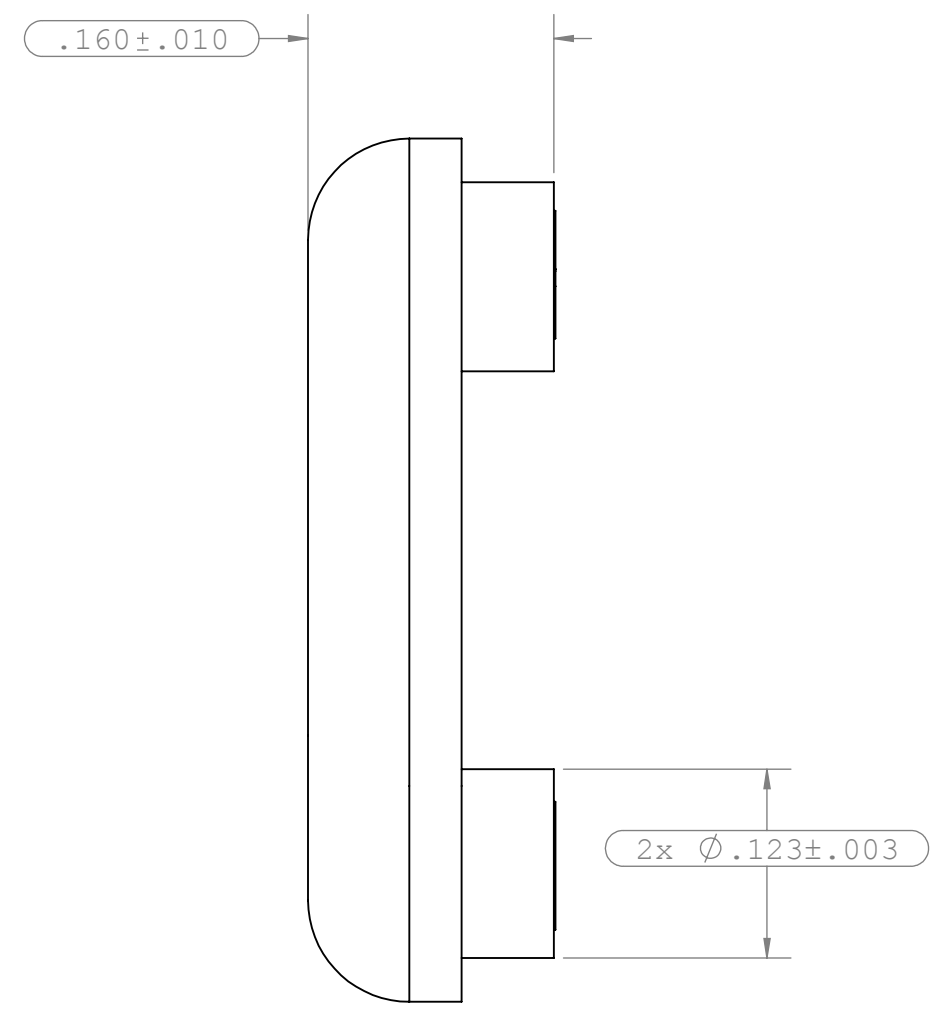
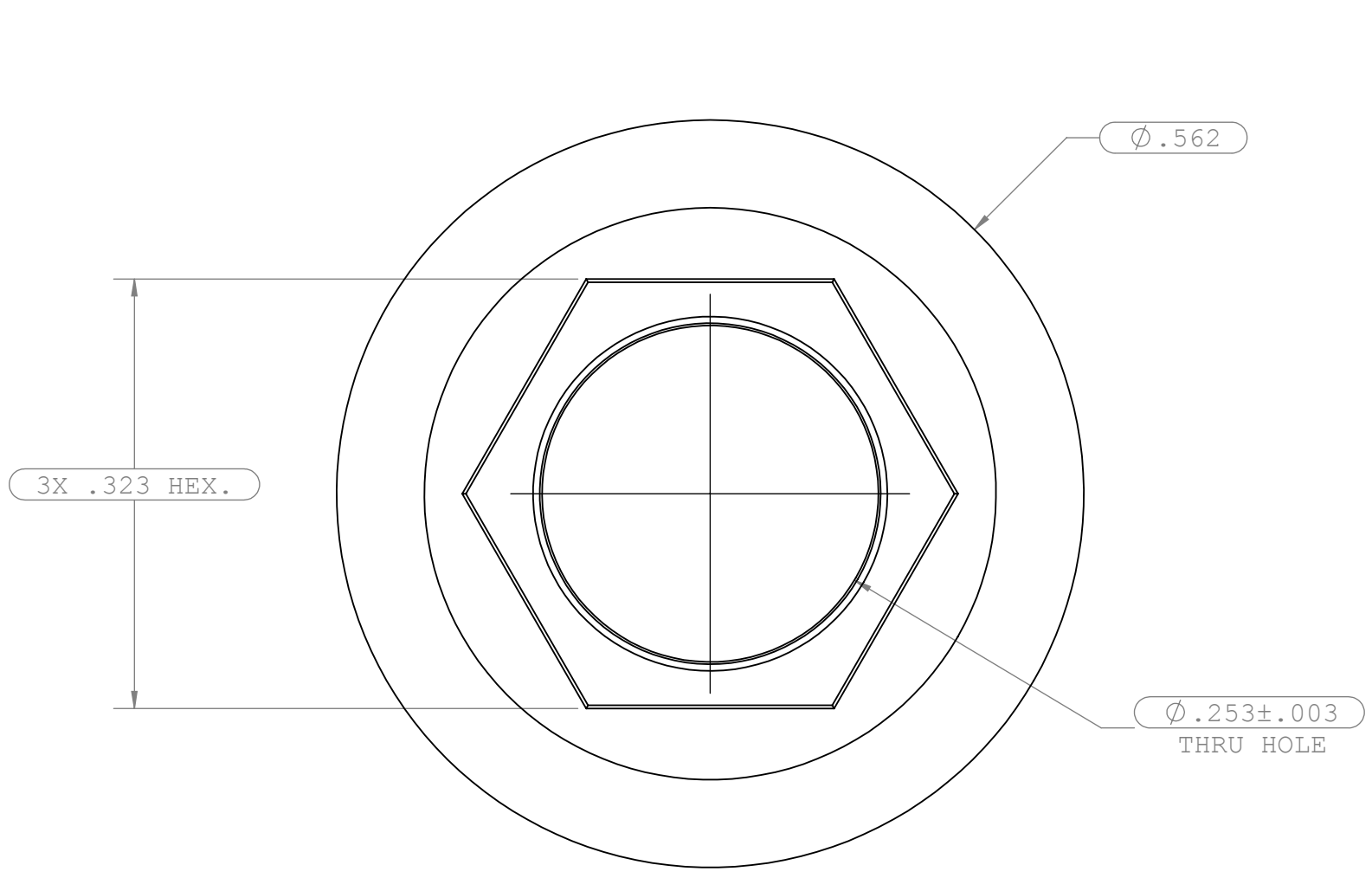


NOTES: FOR ADDITIONAL DETAILS, PLEASE CONTACT VP CUSTOMER SERVICE  
 DIMENSIONS MARKED  ARE CONTROL DIMENSIONS

REVISIONS			
REV.	DESCRIPTION	DATE	APPROVED
A	ECO 0011	07-28-99	
B	CO 027 Drafting Update	06-02-07	Rick C.
C	ECO 171	08-18-10	Rick C.
D	ECO 205	10-18-11	Rick C.



UNLESS OTHERWISE SPECIFIED DIMENSIONS ARE IN INCHES TOLERANCES ARE:		<b>VALUE PLASTICS, INC</b>			
FRACTIONS	DECIMAL				
±	.XX ±.01	± 1°	DESCRIPTION:	Color Coded Lock Ring (For use with FTLB or FTLB panel mount fittings)	
	.XXX ±.005		SIZE:	B	
	.XXXX ±.001		SCALE:	NTS	
DO NOT SCALE DRAWING		VER:	DWG. NO.	1007649	
DRAWN BY:	DATE:	REV:		D	
shannond	10/21/2011				
MANAGER:		© 2011 VALUE PLASTICS, INC		SHEET: 1 OF 1	
Rick Cairns					

**FOR REFERENCE ONLY**