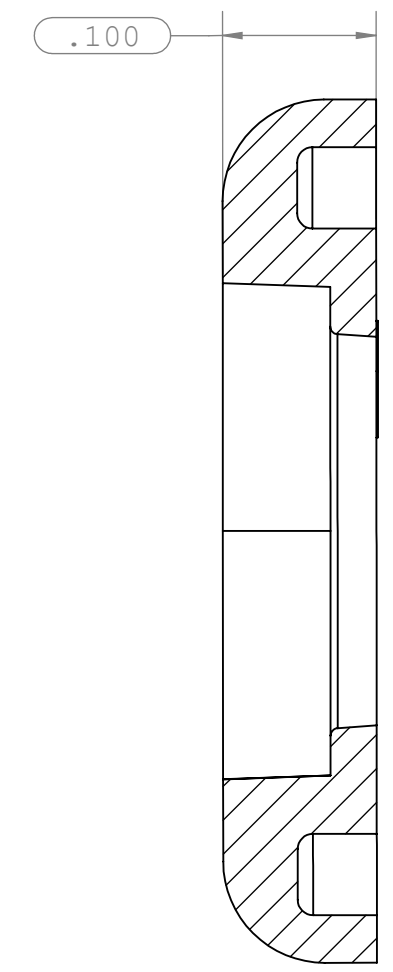
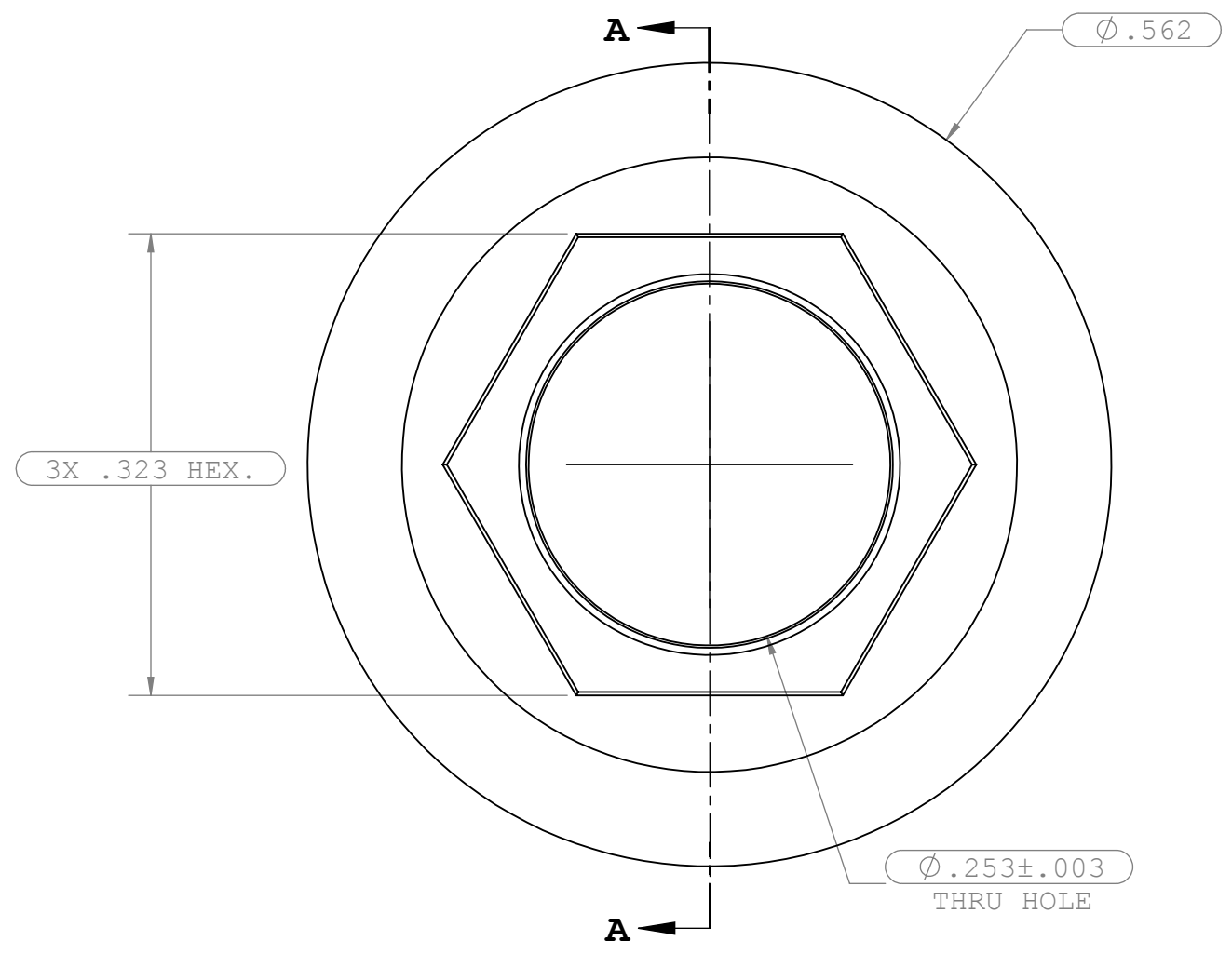
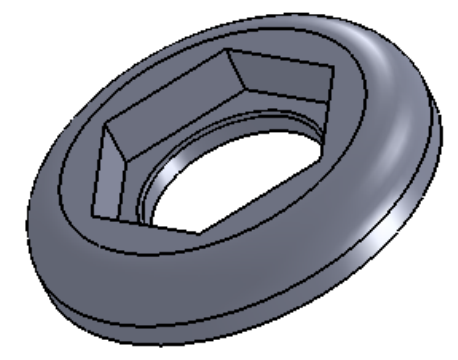


NOTES: FOR ADDITIONAL DETAILS, PLEASE CONTACT VP CUSTOMER SERVICE
 DIMENSIONS MARKED  ARE CONTROL DIMENSIONS

REVISIONS			
REV.	DESCRIPTION	DATE	APPROVED
A	ECO 0011	07-28-99	
B	CO 027 Drafting Update	06-02-07	Rick C.
C	ECO 171	08-18-10	Rick C.
D	ECO 205	10-18-11	Rick C.



SECTION A-A



UNLESS OTHERWISE SPECIFIED DIMENSIONS ARE IN INCHES TOLERANCES ARE:		VALUE PLASTICS, INC			
FRACTIONS DECIMAL ANGULAR ± .XX ±.01 ± 1° .XXX ±.005 .XXXX ±.001		PART NUMBER: CCR			
DO NOT SCALE DRAWING		DESCRIPTION: Color Coded Ring (For use with FTLB or FTLB panel mount fittings)			
DRAWN BY: shannond	DATE: 1/31/2012	SIZE: B	SCALE: NTS	VER: 	DWG. NO. REV 1010091 D
MANAGER: Rick Cairns		© 2011 VALUE PLASTICS, INC			SHEET: 1 OF 1

FOR REFERENCE ONLY