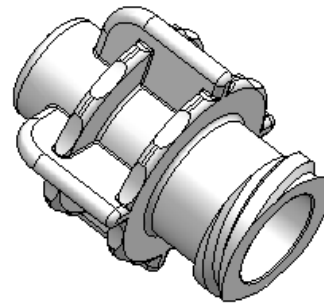
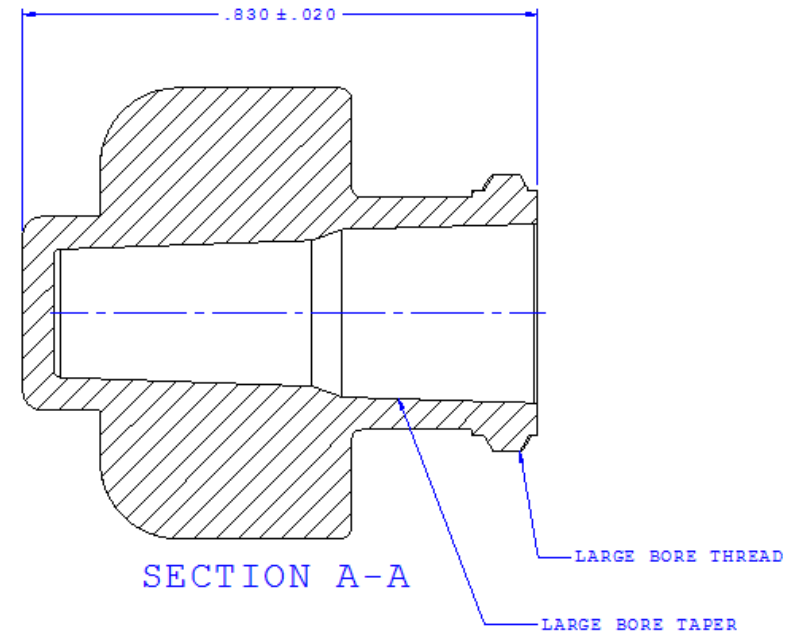
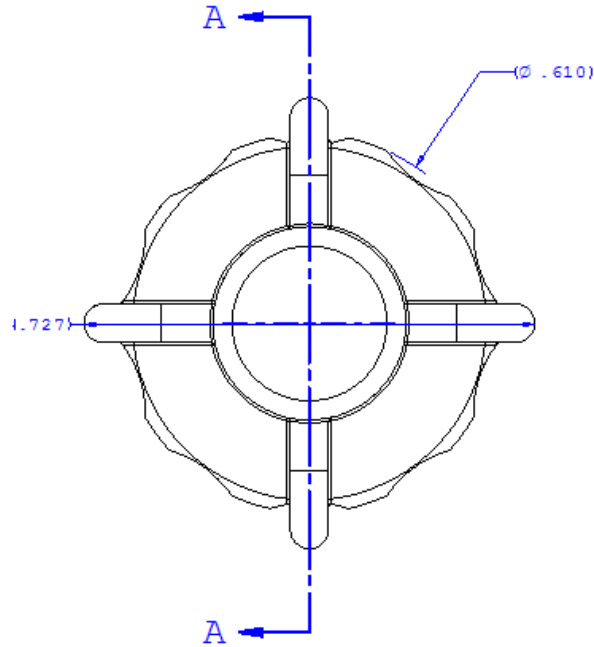


NOTE: FOR MORE DETAILS SEE YOUR V.P. CUSTOMER SERVICE REP.

REVISIONS			
REV.	DESCRIPTION	DATE	APPROVED
A	INITIAL RELEASE	03-11-03	
B	CO 046 DRAFTING UPDATE	03-11-09	Rick C.



UNLESS OTHERWISE SPECIFIED DIMENSIONS ARE IN INCHES TOLERANCES ARE: FRACTIONS DECIMALS ANGULAR ± .001 ± .001 ± .001 .XXX ± .005 .XXXX ± .001 DO NOT SCALE DRAWING		VALUE PLASTICS, INC. PART NUMBER: FLBP DESCRIPTION: Female Large Bore Connector Plug	
DRAWN BY: Randy Sakurada	DATE: 01-26-07	SIZE: B	SCALE: NTS
ENGINEER/MANAGER: Rick Cairns	DRAWING NUMBER: 1010253	SHEET: 1 OF 1	REV.: B
© 2007 VALUE PLASTICS, INC.		SHEET: 1 OF 1	

FOR REFERENCE ONLY