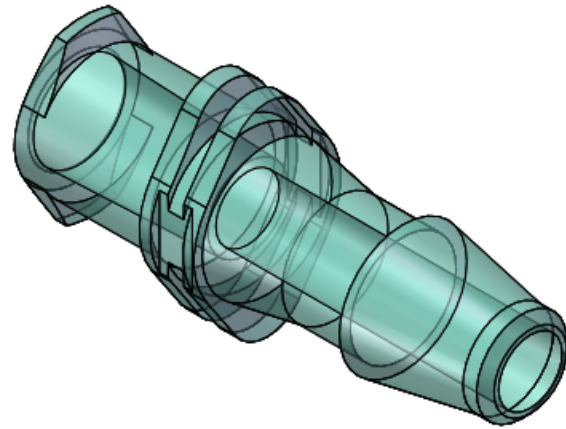
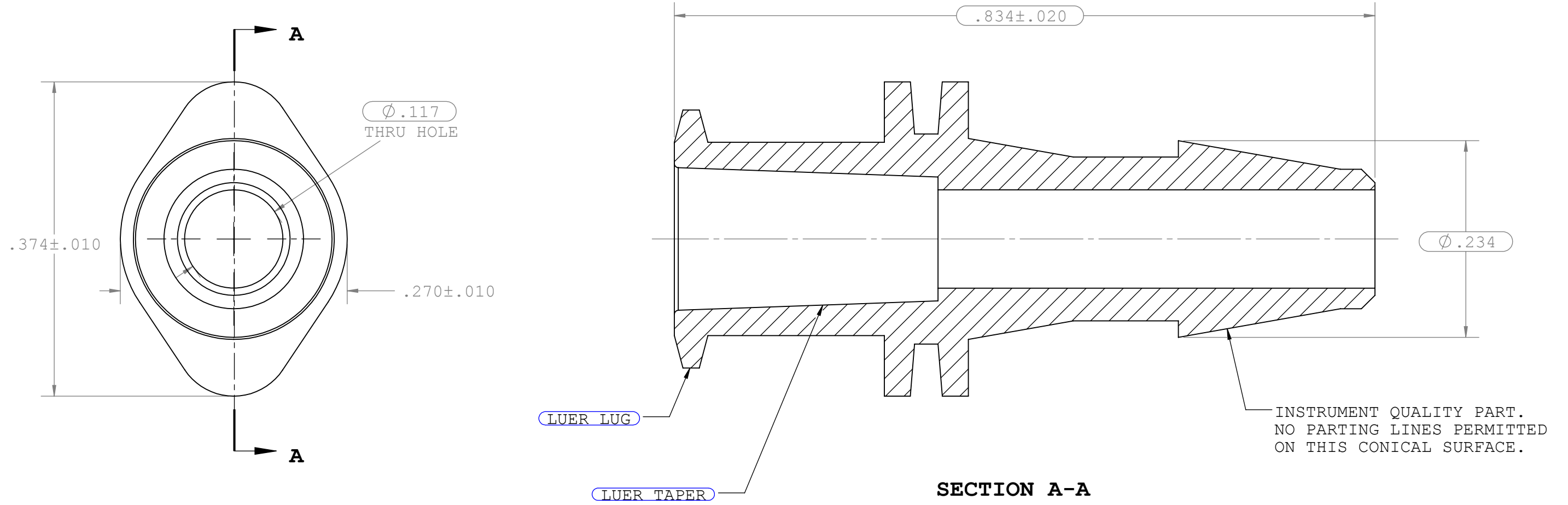


NOTES: FOR ADDITIONAL DETAILS, PLEASE CONTACT VP CUSTOMER SERVICE
 DIMENSIONS MARKED ARE CONTROL DIMENSIONS

REVISIONS			
REV.	DESCRIPTION	DATE	APPROVED
A	ECO-0034	02-01-01	
B	CO 016 Drafting Update	06-14-05	Rick C.
C	ECO 226 Documentation Update	04-23-12	Rick C



UNLESS OTHERWISE SPECIFIED DIMENSIONS ARE IN INCHES TOLERANCES ARE:		VALUE PLASTICS, INC			
FRACTIONS DECIMAL ANGULAR ± .XX ±.01 ± 1° .XXX ±.005 .XXXX ±.001		PART NUMBER: FTL240			
DO NOT SCALE DRAWING		DESCRIPTION: Female Luer Lug Style to 200 Series Barb, 5/32" (4.0 mm) ID Tubing			
DRAWN BY: marcusk	DATE: 5/15/2012	SIZE: B	SCALE: NTS	VER: 	DWG. NO. 1006517
MANAGER: RICKC		© 2011 VALUE PLASTICS, INC			REV C
				SHEET: 1 OF 1	

FOR REFERENCE ONLY