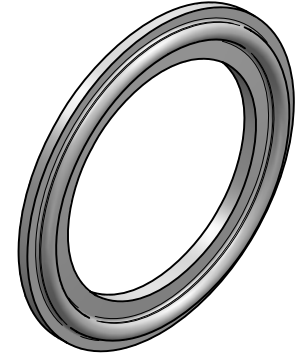
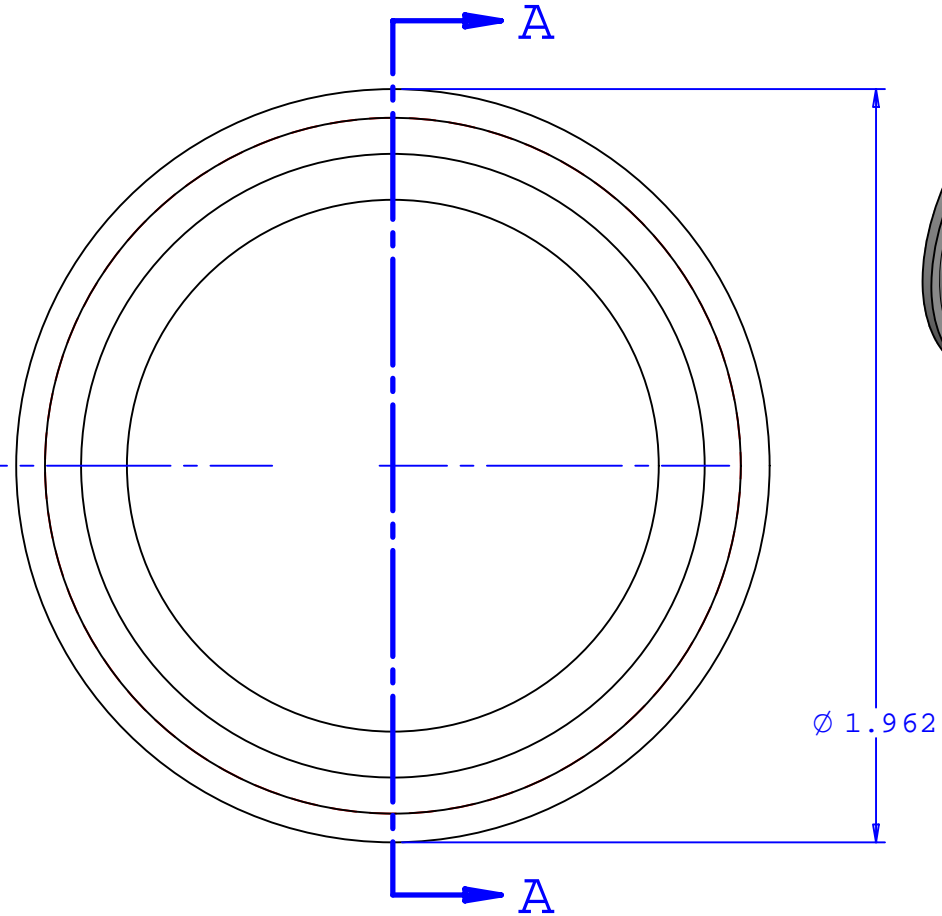
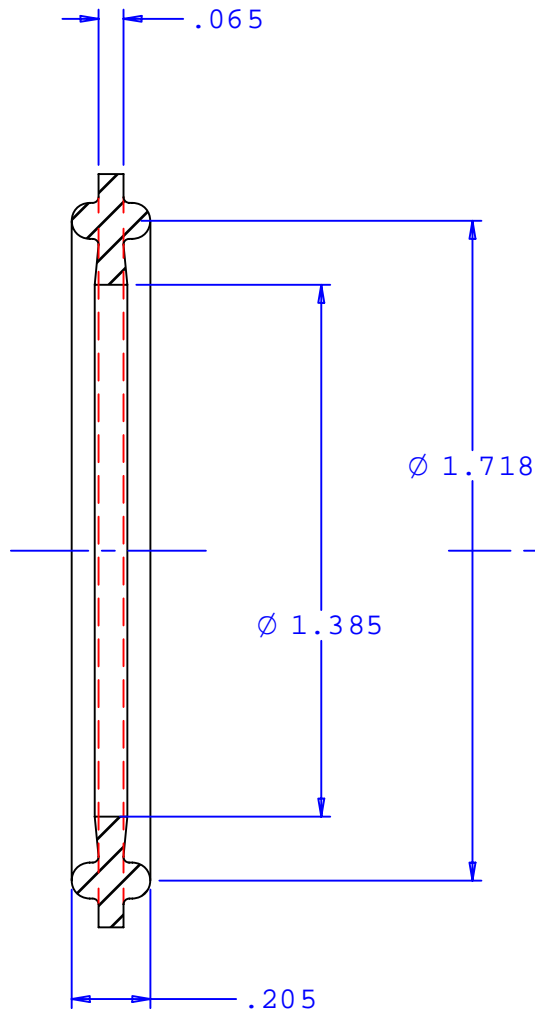


REVISIONS

REV.	DESC RIPTION	DATE	APPROVED
A	INITIAL RELEASE	06-12-07	



SECTION A-A

NOTES:

1. FOR MORE DETAILS SEE YOUR V.P. CUSTOMER SERVICE REP.
2. PRODUCT MEETS ISO 2852 STANDARDS FOR BIOPHARM PROCESSING

UNLESS OTHERWISE SPECIFIED
DIMENSIONS ARE IN INCHES
TOLERANCES ARE:

FRACTIONS	DECIMALS	ANGULAR
±	.XX ±.01	±1°
	.XXX ±.005	
	.XXXX ±.001	

DO NOT SCALE DRAWING

DRAWN BY: B. Elshof	DATE: 05/30/07
CHECKED BY:	DATE:

VALUE PLASTICS, INC.

PART NUMBER: GMX455-PX

DESCRIPTION:
Platinum Cured Silicone Sanitary Gasket

SIZE: A	SCALE: NTS	DRAWING NUMBER:	REV. A
------------	---------------	-----------------	-----------

© 2007 VALUE PLASTICS, INC.

SHEET: 1 OF 1