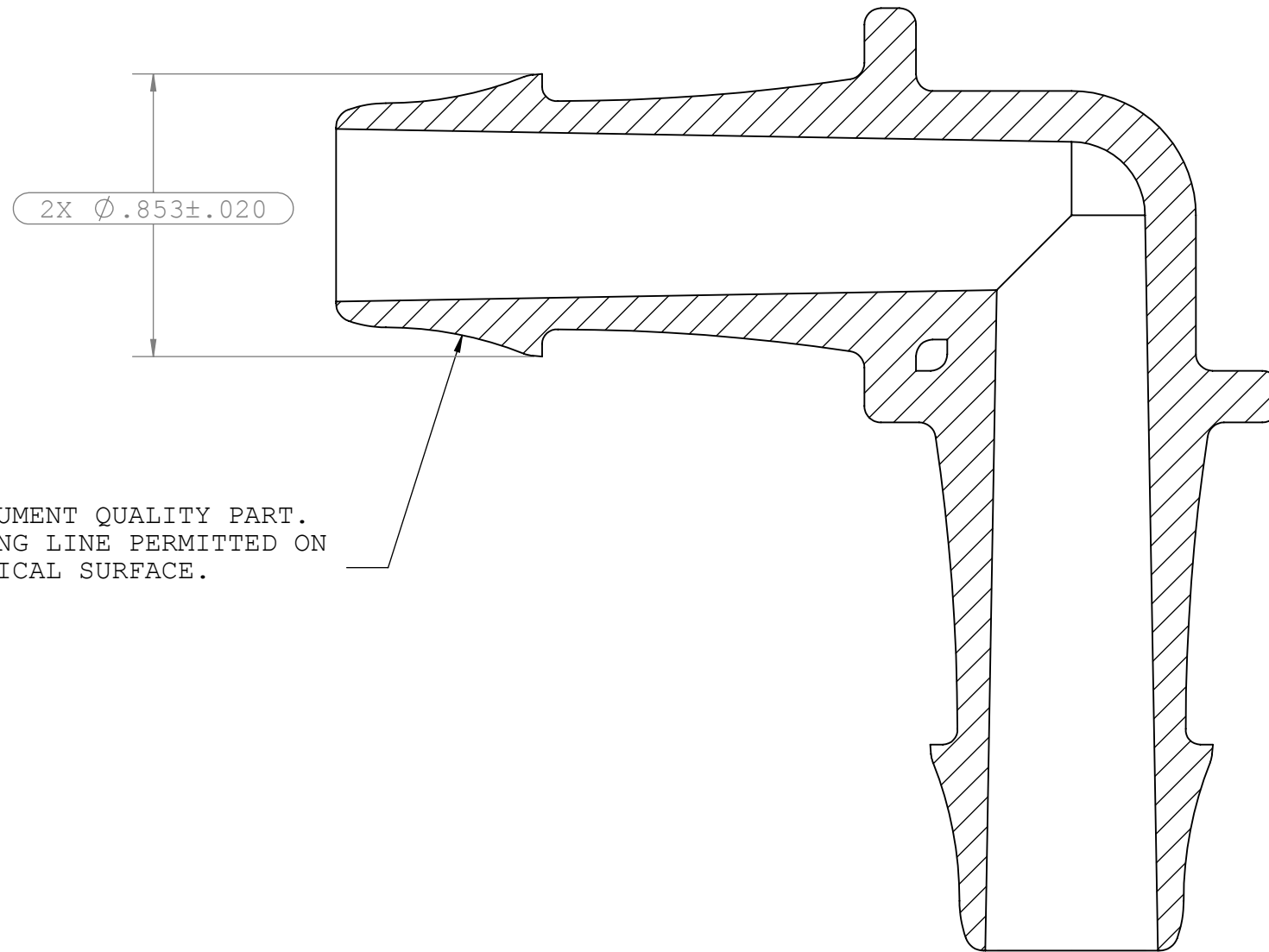
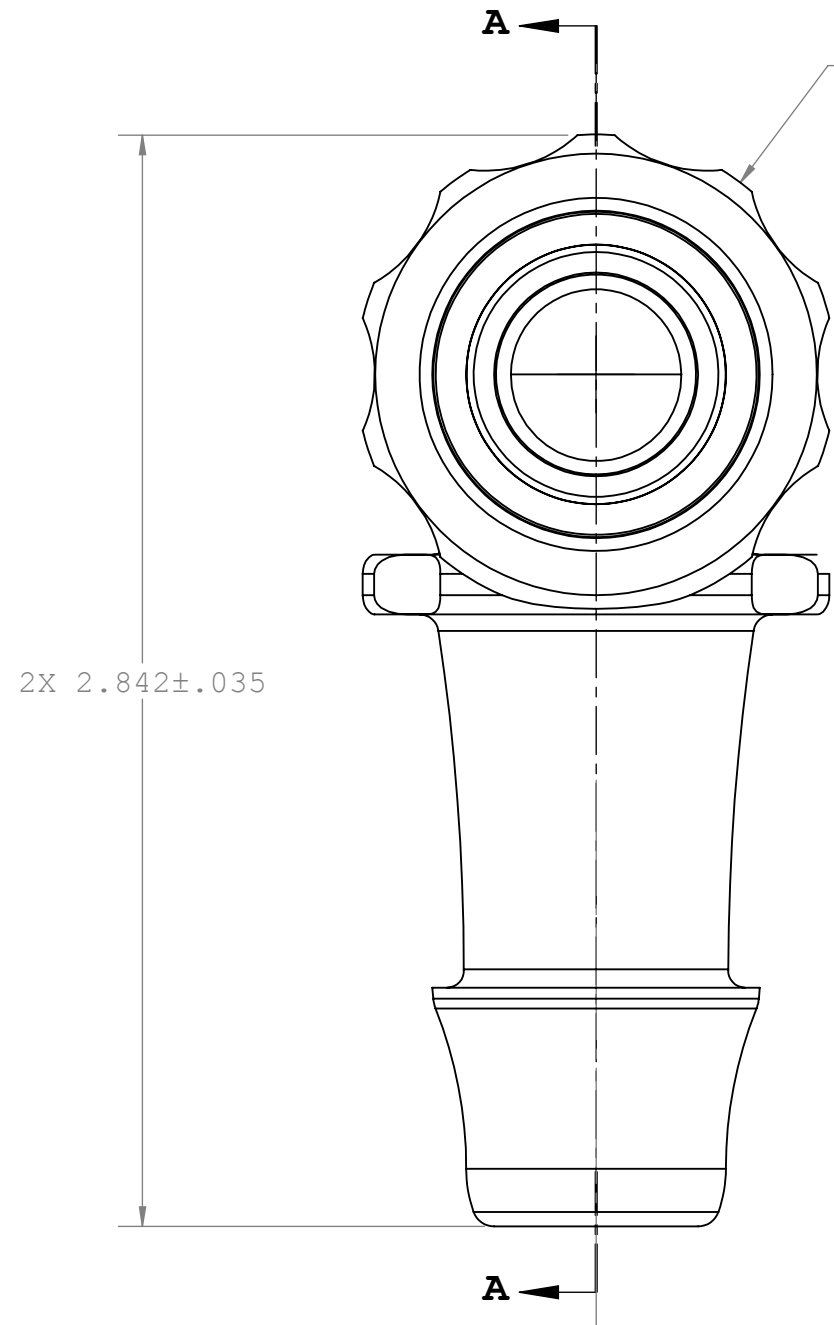
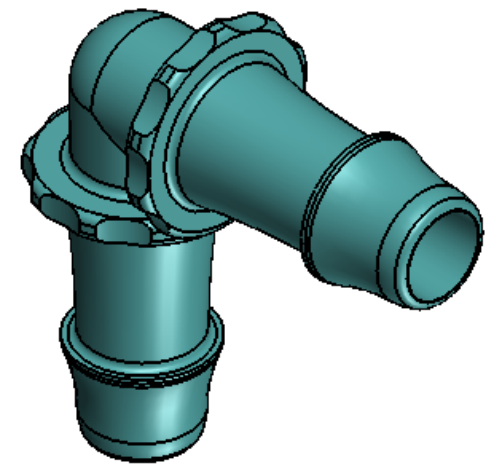


NOTES: FOR ADDITIONAL DETAILS, PLEASE CONTACT VP CUSTOMER SERVICE
 DIMENSIONS MARKED \varnothing ARE CONTROL DIMENSIONS

REVISIONS			
REV.	DESCRIPTION	DATE	APPROVED
A	INITIAL RELEASE	02-13-03	
B	CO 027 DRAFTING RELEASE	10-10-05	RICK C.
C	ECO 192 DRAFTING UPDATE	04-26-11	RICK C.



2X INSTRUMENT QUALITY PART.
 NO PARTING LINE PERMITTED ON
 THIS CONICAL SURFACE.



UNLESS OTHERWISE SPECIFIED DIMENSIONS ARE IN INCHES TOLERANCES ARE:		VALUE PLASTICS, INC			
FRACTIONS	DECIMAL				
\pm	.XX $\pm .01$	$\pm 1^\circ$	DESCRIPTION:	Elbow Connector with 500 Series Barbs, 3/4" (19mm) ID Tubing	
	.XXX $\pm .005$		SIZE:	B	
	.XXXX $\pm .001$		SCALE:	NTS	
DO NOT SCALE DRAWING		DATE:	VER:	DWG. NO.	REV
DRAWN BY:	Chieu Pham	04/26/2011		1007486	C
MANAGER:	Rick Cairns	© 2011 VALUE PLASTICS, INC		SHEET:	1 OF 1

FOR REFERENCE ONLY