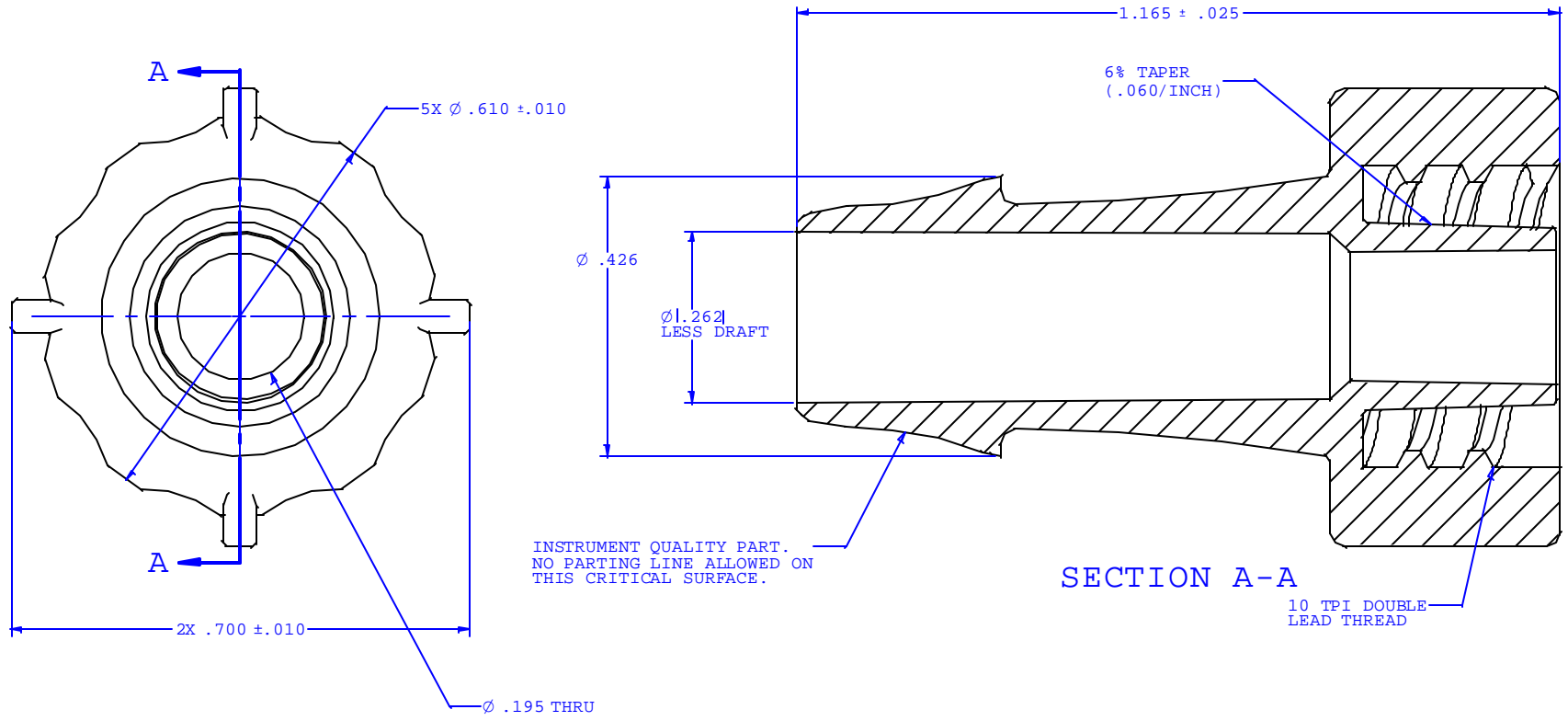


REVISIONS			
REV	DESCRIPTION	DATE	APPROVED



INSTRUMENT QUALITY PART.
NO PARTING LINE ALLOWED ON
THIS CRITICAL SURFACE.

SECTION A-A

10 TPI DOUBLE
LEAD THREAD

UNLESS OTHERWISE SPECIFIED DIMENSIONS ARE IN INCHES TOLERANCES ARE:		VALUE PLASTICS, INC.	
FRACTIONS ±	DECIMALS .XX ± .01 .XXX ± .005 .XXXX ± .001	ANGULAR ±1°	PART NUMBER: MLB065
DO NOT SCALE DRAWING		DESCRIPTION: Male Large Bore Connector to 500 Series Barb, 5/16" (8 mm) ID Tubing	
DRAWN BY: JASON CAIN	SCALE: NTS	DRAWING NUMBER:	REV.
DATE: 04/13/01	© 2001 VALUE PLASTICS, INC.		SHEET:

FOR REFERENCE ONLY