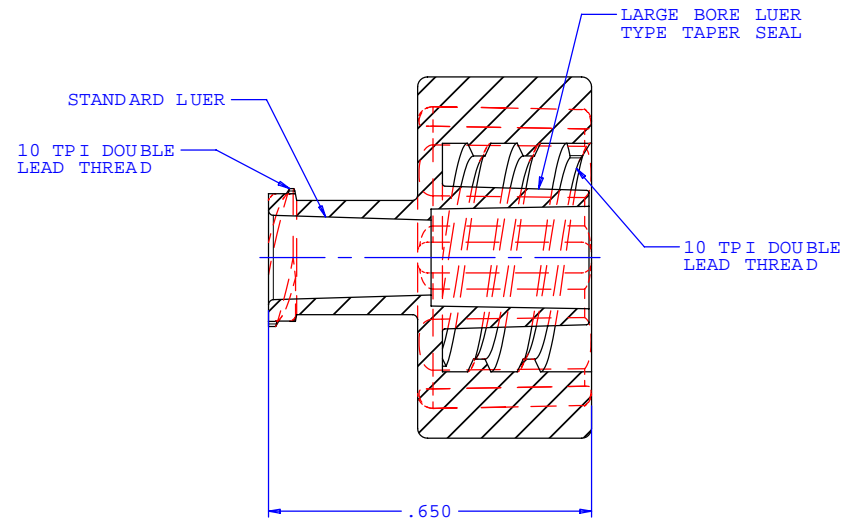
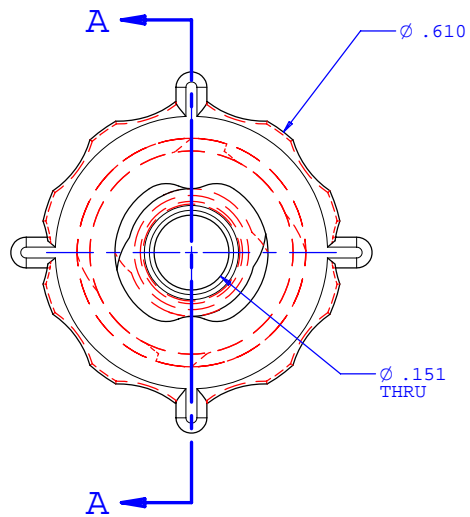
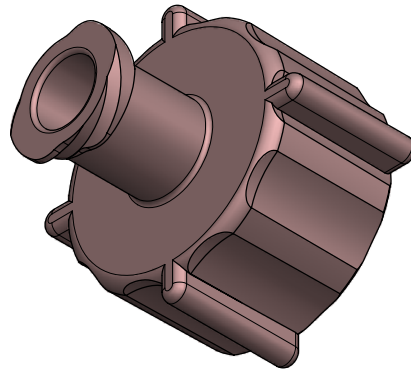


REVISIONS			
REV.	DESCRIPTION	DATE	APPROVED



SECTION A-A



UNLESS OTHERWISE SPECIFIED DIMENSIONS ARE IN INCHES TOLERANCES ARE:		<b>VALUE PLASTICS, INC.</b>		
FRACTIONS ±	DECIMALS .XX ±.01 .XXX ±.005 .XXXX ±.001	ANGULAR ±1°	PART NUMBER: MLBC8	
DO NOT SCALE DRAWING		DESCRIPTION: MALE LARGE BORE COUPLER W/ INTEGRAL LOCK RING TO FEMALE THREAD STYLE LOCKING LUER		
DRAWN BY: BOB BLIVEN	DATE: 04/06/04	SIZE: B	SCALE: NTS	REV. 0
CHECKED BY:	DATE:	© 2003 VALUE PLASTICS, INC.		SHEET: 1 OF 1

**FOR REFERENCE ONLY**