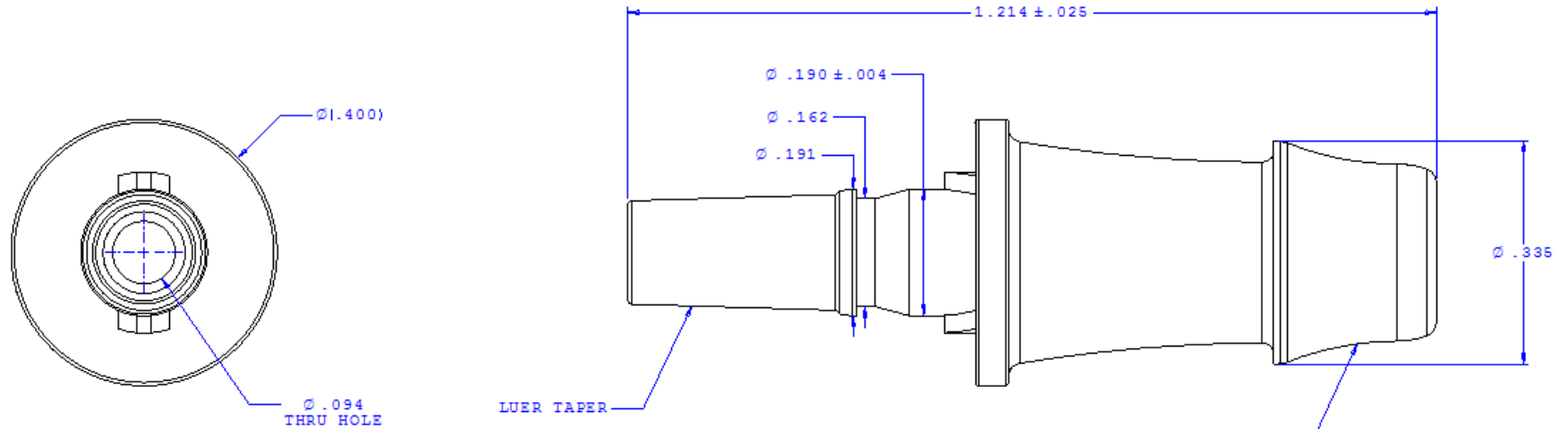
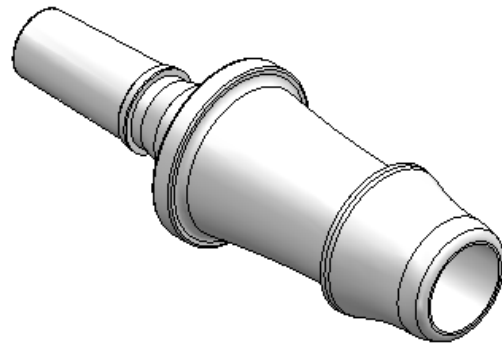


NOTE: FOR MORE DETAILS SEE YOUR V.P. CUSTOMER SERVICE REP.

| REVISIONS | | | |
|-----------|------------------------|----------|----------|
| REV. | DESCRIPTION | DATE | APPROVED |
| A | INITIAL RELEASE | 08-26-97 | |
| B | CO 024 Drafting Update | 03-10-09 | Rick C. |



INSTRUMENT QUALITY PART. NO PARTING LINE PERMITTED ON THIS CONICAL SURFACE



| | | | |
|---|------------------------------------|-----------------------------|--|
| UNLESS OTHERWISE SPECIFIED DIMENSIONS ARE IN INCHES TOLERANCES ARE: | | VALUE PLASTICS, INC. | |
| FRACTIONS 1/2 .XXX .XXXX | DECIMALS 0.01 0.005 0.001 | ANGULAR 1/2° | PART NUMBER: MLSL055 DESCRIPTION: Male Luer to 500 Series Barb, 1/4" (6.25 mm) ID Tubing (May be used with separate stationary lock ring, PSLLR) |
| DRAWN BY: Frank Lombardi | DATE: 07-26-05 | SIZE: B | SCALE: NTS |
| ENGINEER MANAGER: Rick Cairns | DRAWING NUMBER: 1007195 | REV. B | © 2005 VALUE PLASTICS, INC. QUANTITY: 1 OF 1 |

FOR REFERENCE ONLY