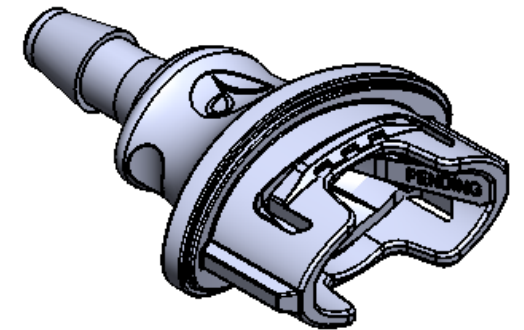
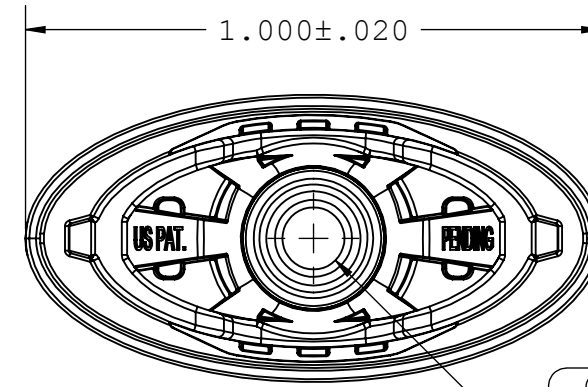
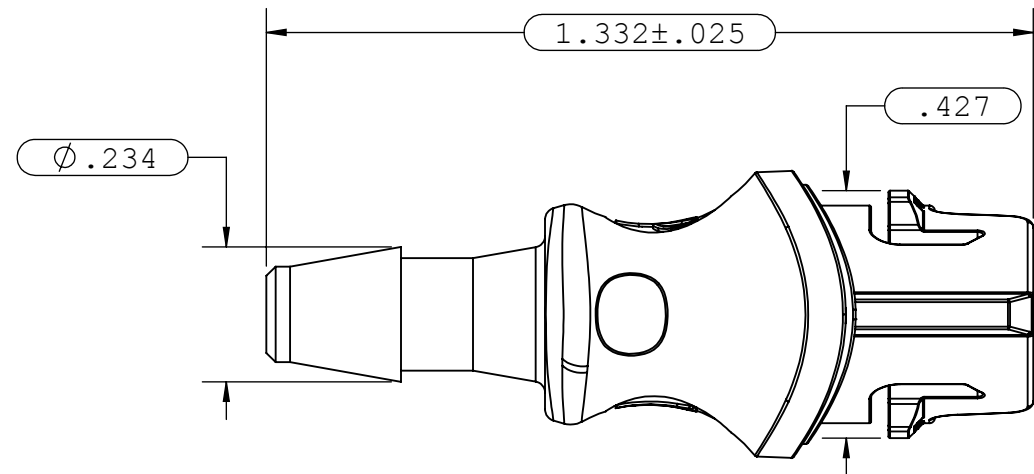
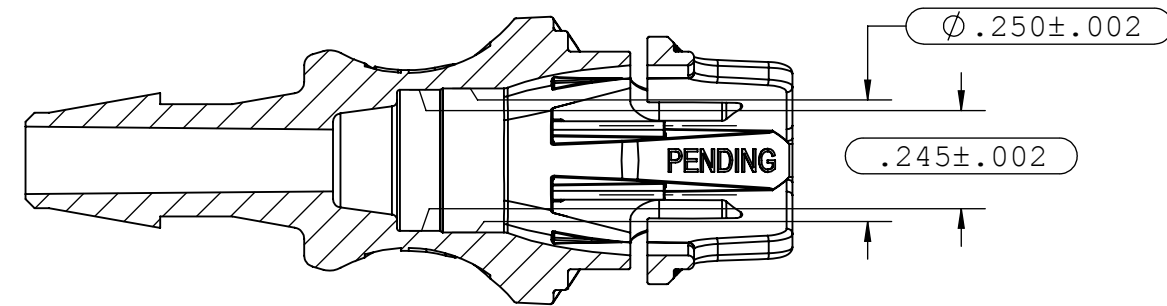
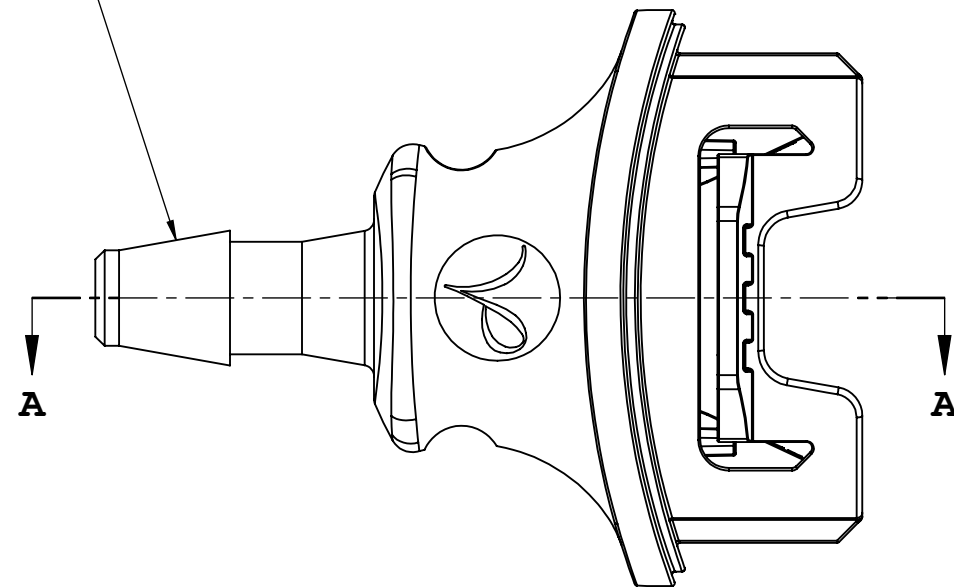


NOTES: FOR ADDITIONAL DETAILS, PLEASE CONTACT VP CUSTOMER SERVICE  
 DIMENSIONS MARKED  $\phi$  ARE CONTROL DIMENSIONS

REVISIONS			
REV.	DESCRIPTION	DATE	APPROVED
A	INITIAL RELEASE	05-19-11	S.N.R



INSTRUMENT QUALITY PART. NO PARTING LINE PERMITTED ON THIS CONICAL SURFACE



SECTION A-A

UNLESS OTHERWISE SPECIFIED DIMENSIONS ARE IN INCHES TOLERANCES ARE:		<b>VALUE PLASTICS, INC</b>			
FRACTIONS	DECIMAL				
±	.XX ±.01	± 1°			
	.XXX ±.005				
	.XXXX ±.001				
DO NOT SCALE DRAWING		PART NUMBER: MQCF240			
		DESCRIPTION: M Series Quick Connect Female 200 Series Barb 5/32" (4.0mm) ID Tubing			
DRAWN BY: kyles	DATE: 5/24/2011	SIZE: <b>B</b>	SCALE: NTS	VER: 1020352	DWG. NO. 1020352
NEW PRODUCT DEVELOPMENT MGR: R. Narayanan		© 2011 VALUE PLASTICS, INC			REV A
				SHEET: 1 OF 1	

**FOR REFERENCE ONLY**