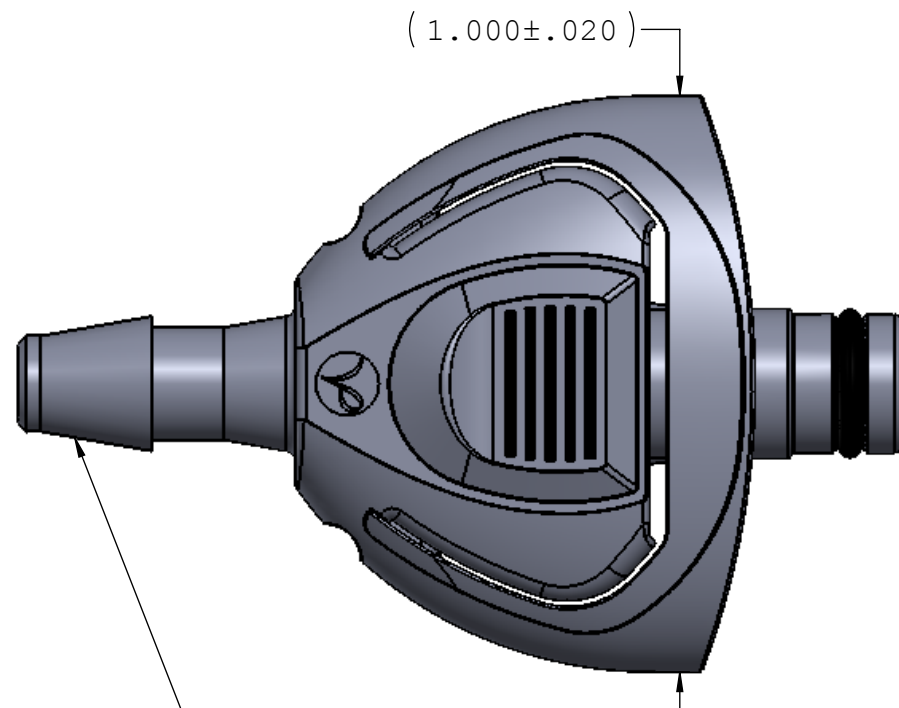
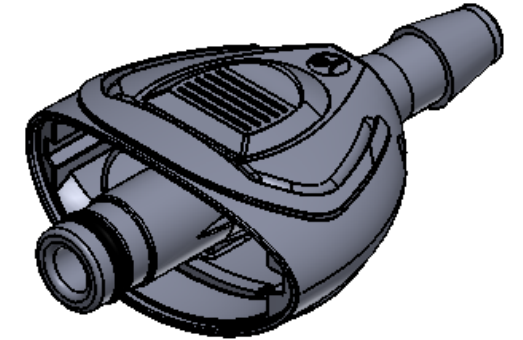
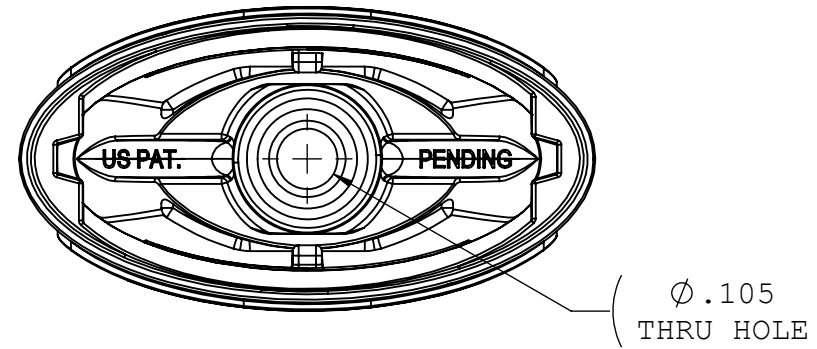
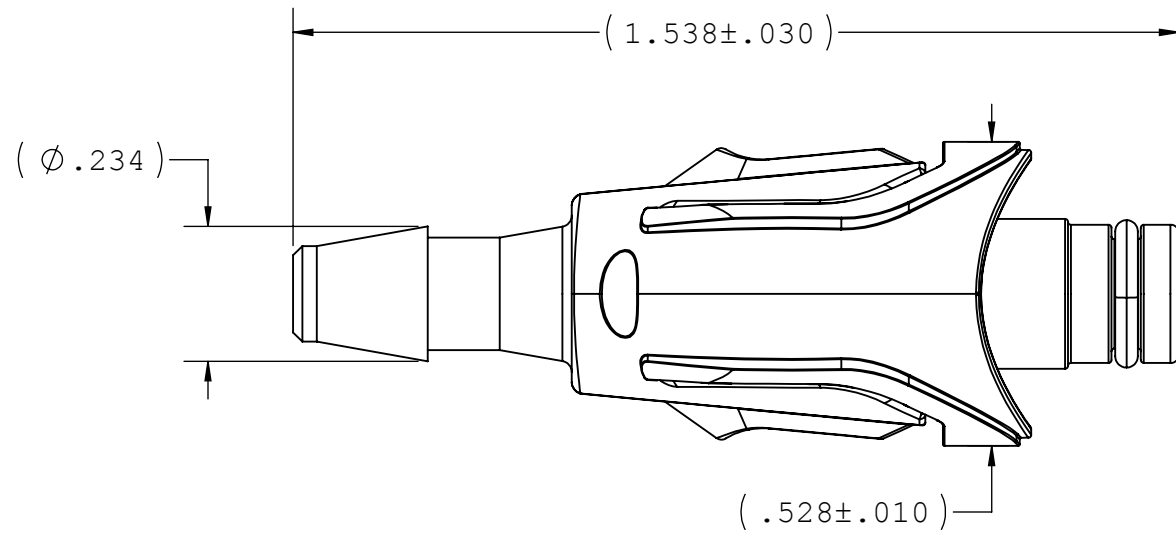


NOTES: FOR ADDITIONAL DETAILS, PLEASE CONTACT VP CUSTOMER SERVICE  
 DIMENSIONS MARKED  $\varnothing$  ARE CONTROL DIMENSIONS

REVISIONS			
REV.	DESCRIPTION	DATE	APPROVED
A	INITIAL RELEASE	02-22-11	S.N.R
B	ECO 187	04-08-11	S.N.R
C	ECO 195	05-23-11	S.N.R



INSTRUMENT QUALITY PART. NO PARTING LINE PERMITTED ON THIS CONICAL SURFACE

UNLESS OTHERWISE SPECIFIED DIMENSIONS ARE IN INCHES TOLERANCES ARE:		<b>VALUE PLASTICS, INC</b>			
FRACTIONS    DECIMAL    ANGULAR $\pm$ .XX $\pm$ .01 $\pm$ 1° .XXX $\pm$ .005 .XXXX $\pm$ .001 DO NOT SCALE DRAWING		PART NUMBER: MQCRM240			
DESCRIPTION: M Series Quick Connect Male 200 Series Barb 5/32" (4.0mm) ID Tubing		SIZE:	SCALE:	VER:	DWG. NO.
DRAWN BY: Frank.Lombardi	DATE: 5/24/2011	<b>B</b>	NTS		1019730
NEW PRODUCT DEVELOPMENT MGR: R. Narayanan		© 2011 VALUE PLASTICS, INC			REV: C
				SHEET:	1 OF 1

**FOR REFERENCE ONLY**