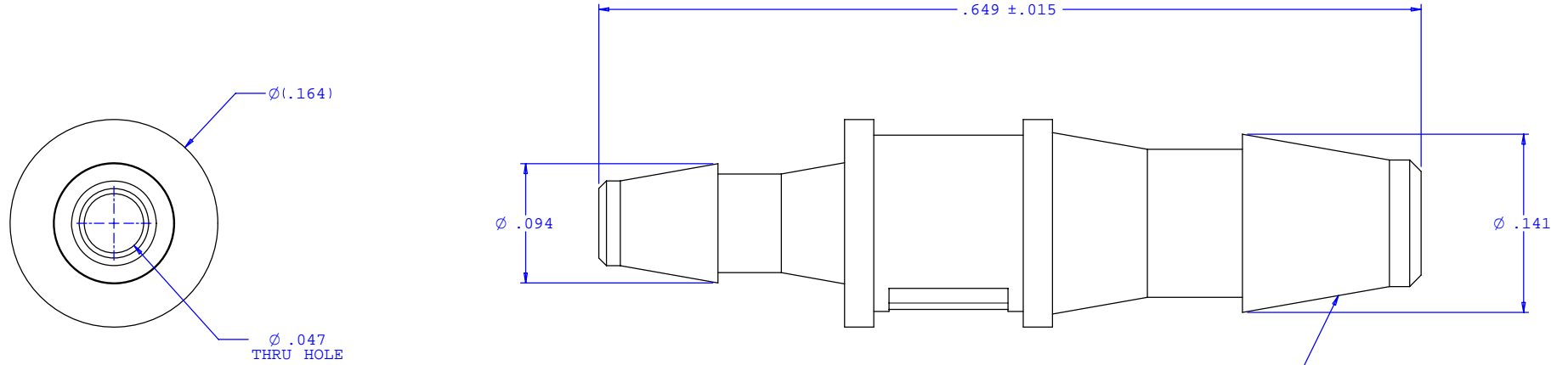
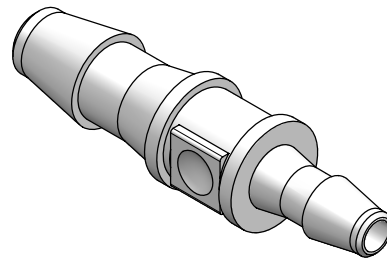


NOTE: FOR MORE DETAILS SEE YOUR V.P. CUSTOMER SERVICE REP.

| REVISIONS |                        |          |          |
|-----------|------------------------|----------|----------|
| REV.      | DESCRIPTION            | DATE     | APPROVED |
| A         | INITIAL RELEASE        | 02-11-97 |          |
| B         | CO 039 Drafting Update | 05-08-06 | Rick C.  |



2X INSTRUMENT QUALITY PART. NO PARTING LINE PERMITTED ON THIS CONICAL SURFACE



|   |                                       |   |   |
|---|---------------------------------------|---|---|
| UNLESS OTHERWISE SPECIFIED<br>DIMENSIONS ARE IN INCHES<br>TOLERANCES ARE: |                                       | <b>VALUE PLASTICS, INC.</b>               |   |
| FRACTIONS   | DECIMALS                              | ANGULAR                                   | PART NUMBER: <b>N220/210</b>  |
| ±   | .XX ±.01<br>.XXX ±.005<br>.XXXX ±.001 | ±1°                                       | DESCRIPTION: Straight Through Reduction Connector with 200 Series Barbs, 3/32" (2.25 mm) and 1/16" (1.5 mm) ID Tubing |
| DO NOT SCALE DRAWING  |                                       |   | SIZE: <b>B</b> SCALE: <b>NTS</b> DRAWING NUMBER: <b>1008185</b> REV. <b>B</b>   |
| DRAWN BY: <b>Frank Lombardi</b> DATE: <b>01-28-06</b>                     |                                       | © 2006 VALUE PLASTICS, INC. SHEET: 1 OF 1 |   |
| Engineer/Manager:<br><b>Rick Cairns</b>                                   |                                       |   |   |

**FOR REFERENCE ONLY**