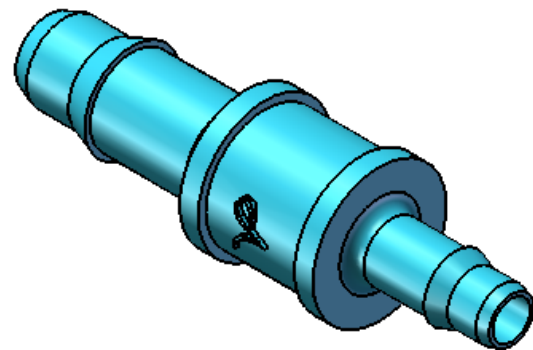
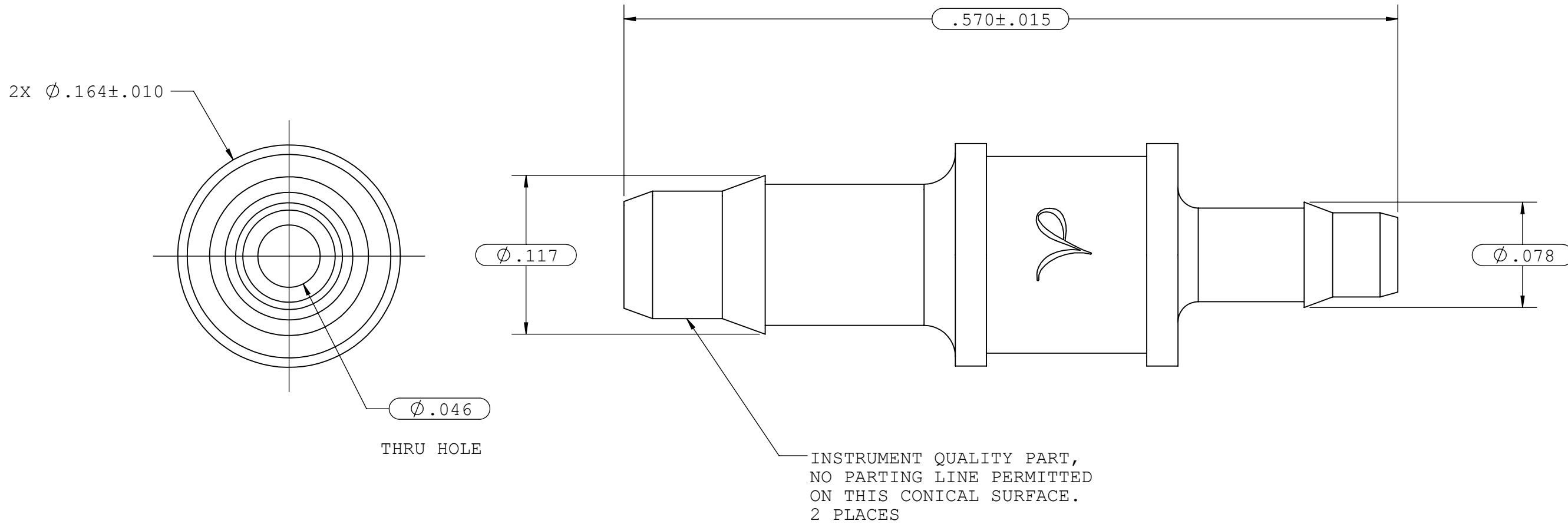


NOTES: FOR ADDITIONAL DETAILS, PLEASE CONTACT VP CUSTOMER SERVICE  
 DIMENSIONS MARKED  $\phi$  ARE CONTROL DIMENSIONS

REVISIONS			
REV.	DESCRIPTION	DATE	APPROVED
A	INITIAL RELEASE	02-19-97	
B	CO 039 DRAFTING UPDATE	05-08-06	RICK C.
C	ECO 182 DRAFTING UPDATE	04-07-11	RICK C.



UNLESS OTHERWISE SPECIFIED DIMENSIONS ARE IN INCHES TOLERANCES ARE:		<b>VALUE PLASTICS, INC</b>			
FRACTIONS    DECIMAL    ANGULAR $\pm$ .XX $\pm$ .01 $\pm$ 1° .XXX $\pm$ .005 .XXXX $\pm$ .001		PART NUMBER: N420/N410			
DO NOT SCALE DRAWING		DESCRIPTION: Straight Through Reduction Connector with 400 Series Barbs, 3/32" (2.26mm) and 1/16" (1.5mm) ID Tubing			
DRAWN BY: Chieu Pham	DATE: 04/08/2011	SIZE: <b>B</b>	SCALE: NTS	VER: 	DWG. NO.    REV 1008188    C
MANAGER: Rick Cairns		© 2011 VALUE PLASTICS, INC			SHEET: 1 OF 1

**FOR REFERENCE ONLY**