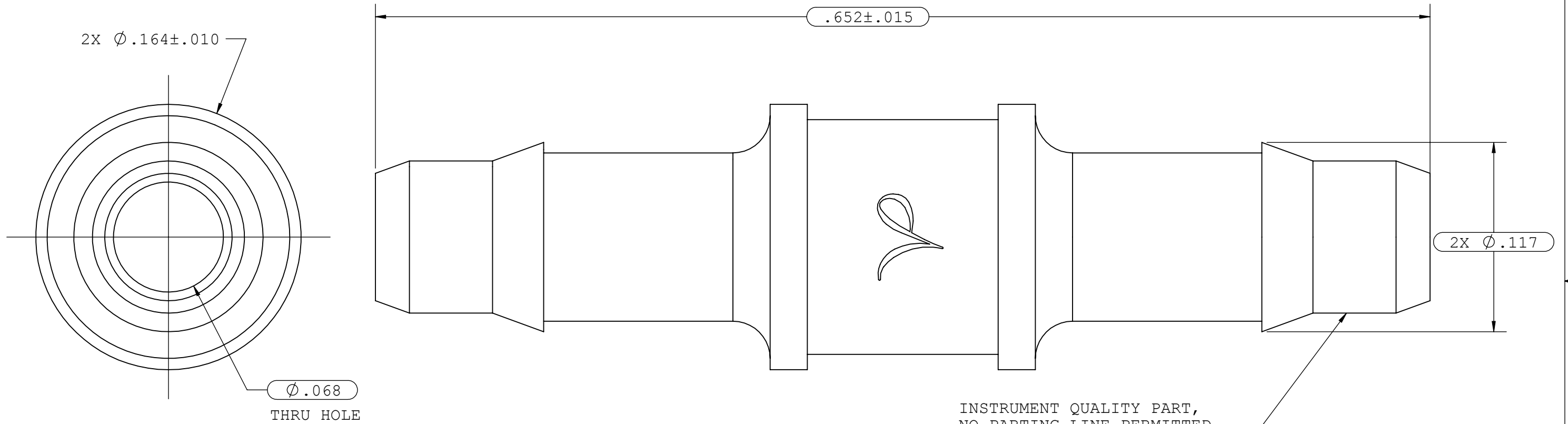
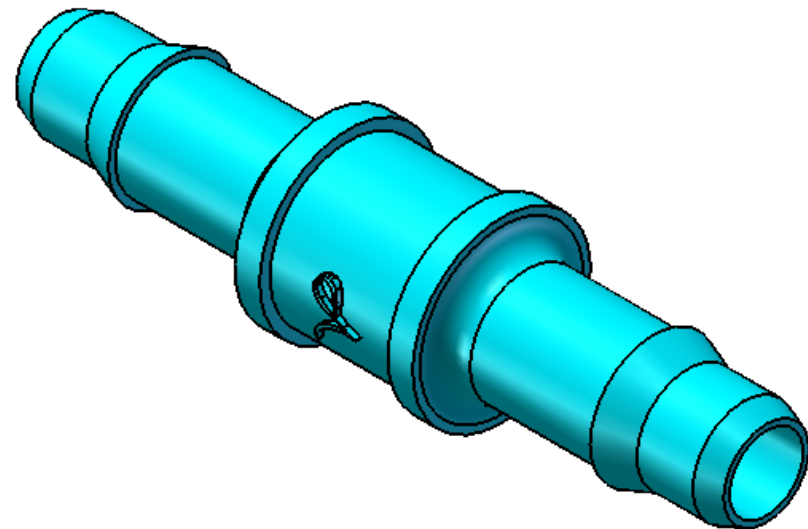


NOTES: FOR ADDITIONAL DETAILS, PLEASE CONTACT VP CUSTOMER SERVICE
 DIMENSIONS MARKED  ARE CONTROL DIMENSIONS

REVISIONS			
REV.	DESCRIPTION	DATE	APPROVED
A	INITIAL RELEASE	02-18-97	
B	CO 039 DRAFTING UPDATE	05-08-06	RICK C.
C	ECO 182 DRAFTING UPDATE	04-07-11	RICK C.



INSTRUMENT QUALITY PART,
 NO PARTING LINE PERMITTED
 ON THIS CONICAL SURFACE.
 2 PLACES



UNLESS OTHERWISE SPECIFIED DIMENSIONS ARE IN INCHES TOLERANCES ARE:		VALUE PLASTICS, INC			
FRACTIONS DECIMAL ANGULAR ± .XX ±.01 ± 1° .XXX ±.005 .XXXX ±.001		PART NUMBER: N420			
DO NOT SCALE DRAWING		DESCRIPTION: Straigh Through Connector with 400 Series Barbs, 3/32" (2.25mm") ID Tubing			
DRAWN BY: Chieu Pham	DATE: 04/07/2011	SIZE: B	SCALE: NTS	VER: 1008152	DWG. NO. 1008152
MANAGER: Rick Cairns		© 2011 VALUE PLASTICS, INC			REV C
				SHEET: 1 OF 1	

FOR REFERENCE ONLY