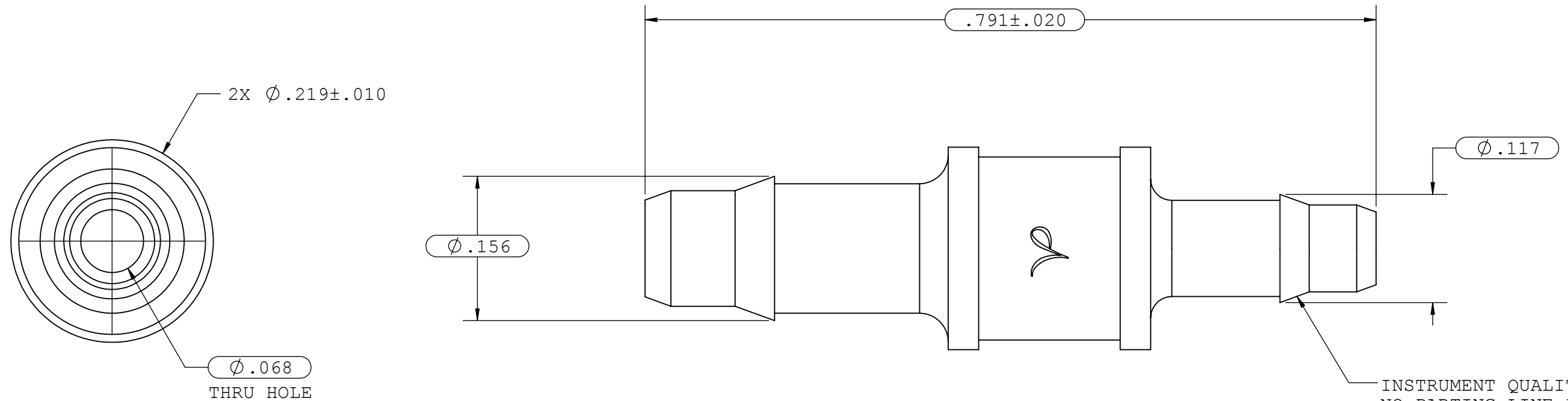
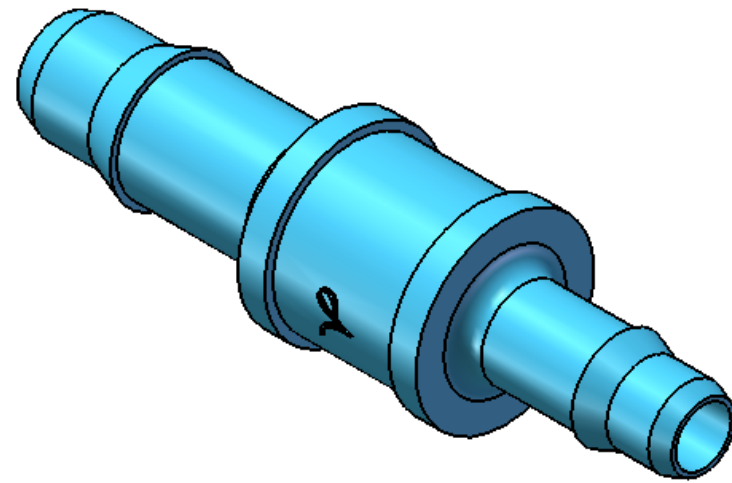


NOTES: FOR ADDITIONAL DETAILS, PLEASE CONTACT VP CUSTOMER SERVICE
 DIMENSIONS MARKED ϕ ARE CONTROL DIMENSIONS

REVISIONS			
REV.	DESCRIPTION	DATE	APPROVED
A	INNITIAL RELEASE	02-19-97	
B	CO 039 DRAFTING UPDATE	05-08-06	RICK C.
C	ECO 182 DRAFTING UPDATE	04-08-11	RICK C.



INSTRUMENT QUALITY PART,
 NO PARTING LINE PERMITTED
 ON THIS CONICAL SURFACE.
 2 PLACES



UNLESS OTHERWISE SPECIFIED DIMENSIONS ARE IN INCHES TOLERANCES ARE:		VALUE PLASTICS, INC			
FRACTIONS DECIMAL ANGULAR \pm .XX \pm .01 \pm 1° .XXX \pm .005 .XXXX \pm .001		PART NUMBER: N430/N420			
DO NOT SCALE DRAWING		DESCRIPTION: Straight Through Reduction Connector with 400 Series Barbs, 1/8" (3mm) and 3/32" (2.25mm) ID Tubing			
DRAWN BY: Chieu Pham	DATE: 04/08/2011	SIZE: B	SCALE: NTS	VER: 	DWG. NO. REV 1008190 C
MANAGER: Rick Cairns		© 2011 VALUE PLASTICS, INC			SHEET: 1 OF 1

FOR REFERENCE ONLY