
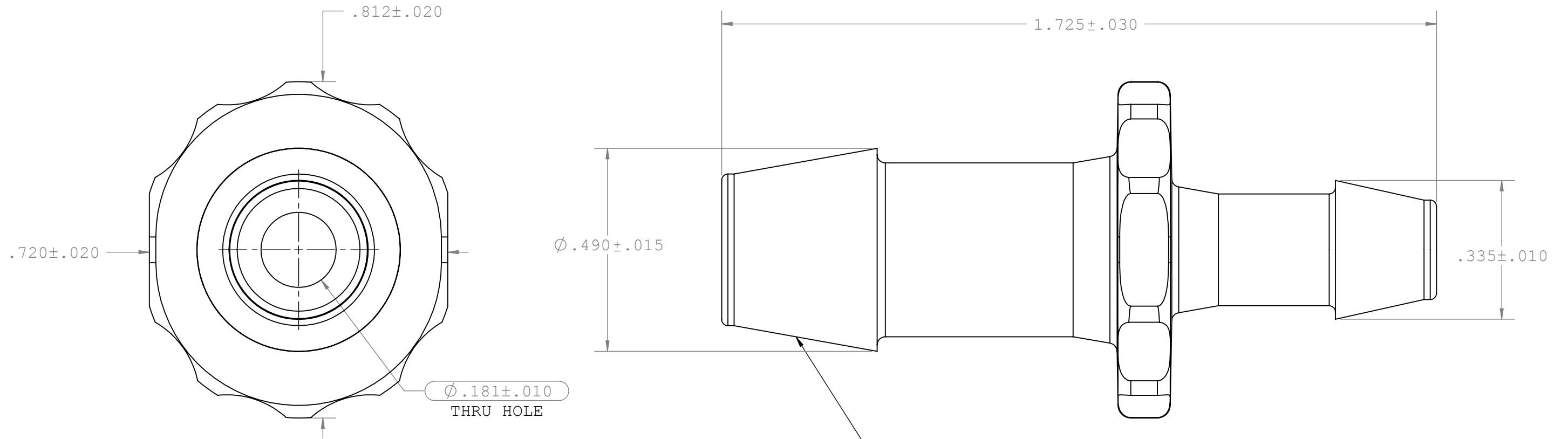
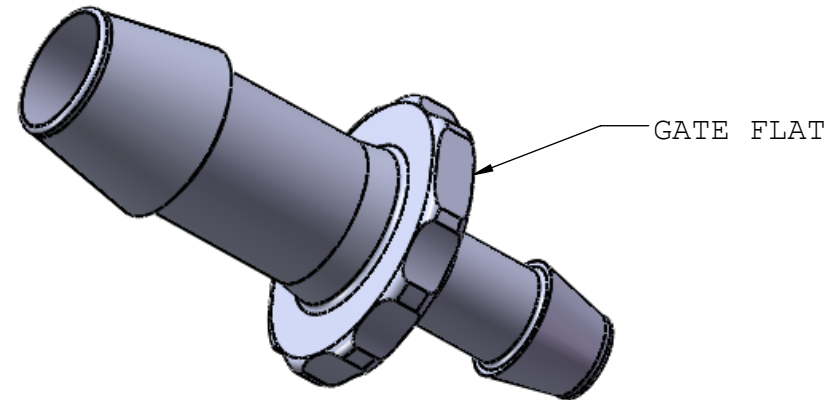


NOTES: FOR ADDITIONAL DETAILS, PLEASE CONTACT VP CUSTOMER SERVICE
 DIMENSIONS MARKED  ARE CONTROL DIMENSIONS

REVISIONS			
REV.	DESCRIPTION	DATE	APPROVED
A	INITIAL RELEASE	04-22-05	RICK C.
B	ECO 158 REMOVE MATERIAL SPECIFIC DIMENSIONS AND OTHER DRAFTING UPDATES	03-25-2010	Rick C.



2X INSTRUMENT QUALITY PART. NO PARTING LINE PERMITTED ON THESE CONICAL SURFACES



UNLESS OTHERWISE SPECIFIED DIMENSIONS ARE IN INCHES TOLERANCES ARE:		VALUE PLASTICS, INC			
FRACTIONS ±	DECIMAL . XX ±.01 .XXX ±.005 .XXXX ±.001	ANGULAR ± 1°	PART NUMBER: N670/655		
DO NOT SCALE DRAWING			DESCRIPTION: Straight Through Reduction Connector With 600 Series Barbs, 3/8" (9.5mm) and 1/4" (6.25mm) ID Tubing		
DRAWN BY: R. Cairns	DATE: 3/25/2010	SIZE: B	SCALE: NTS	VER: 1006296	REV: B
ENGINEERING MANAGER: R. Cairns		© 2010 VALUE PLASTICS, INC			SHEET: 1 OF 1

FOR REFERENCE ONLY