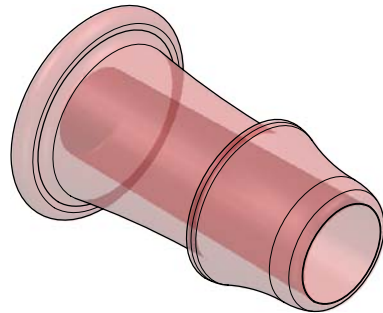
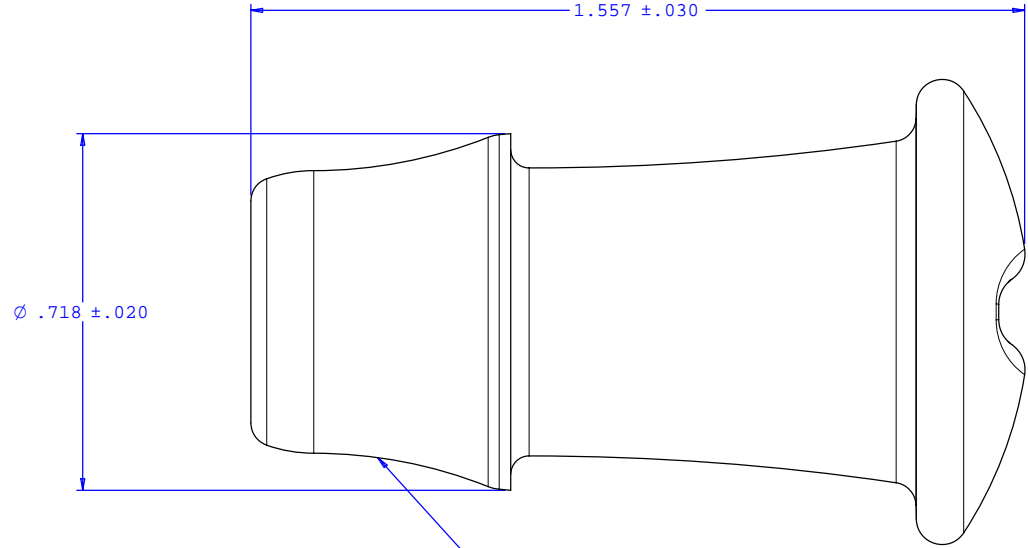
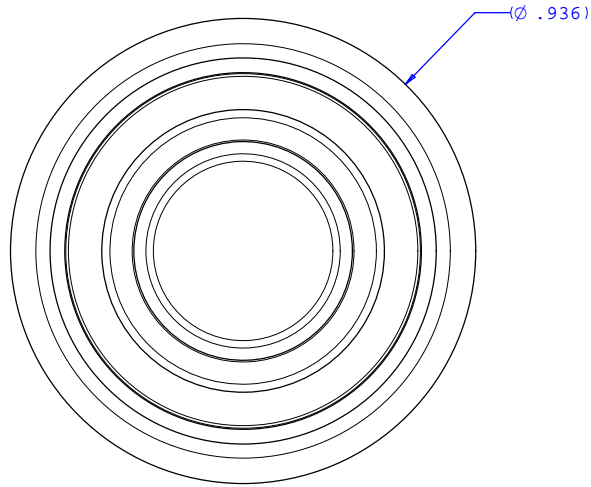


NOTE: FOR MORE DETAILS SEE YOUR V.P. CUSTOMER SERVICE REP.

REVISIONS			
REV.	DESCRIPTION	DATE	APPROVED
A	INITIAL RELEASE	05-10-04	
B	CO 046 Drafting Update	08-22-06	Rick C.



UNLESS OTHERWISE SPECIFIED DIMENSIONS ARE IN INCHES TOLERANCES ARE:		<b>VALUE PLASTICS, INC.</b>	
FRACTIONS ±	DECIMALS .XX ±.01 .XXX ±.005 .XXXX ±.001	ANGULAR ±1°	PART NUMBER: <b>PIP090</b>
DO NOT SCALE DRAWING		DESCRIPTION: <b>Pres-In Plug with 500 Series Barb, 5/8" (16 mm) ID Tubing.</b>	
DRAWN BY: <b>Frank Lombardi</b>	DATE: <b>06-10-06</b>	SIZE: <b>B</b> SCALE: <b>NTS</b>	DRAWING NUMBER: <b>1008989</b> REV. <b>B</b>
Engineer/Manager: <b>Rick Cairns</b>		© 2006 VALUE PLASTICS, INC. SHEET: 1 OF 1	

**FOR REFERENCE ONLY**