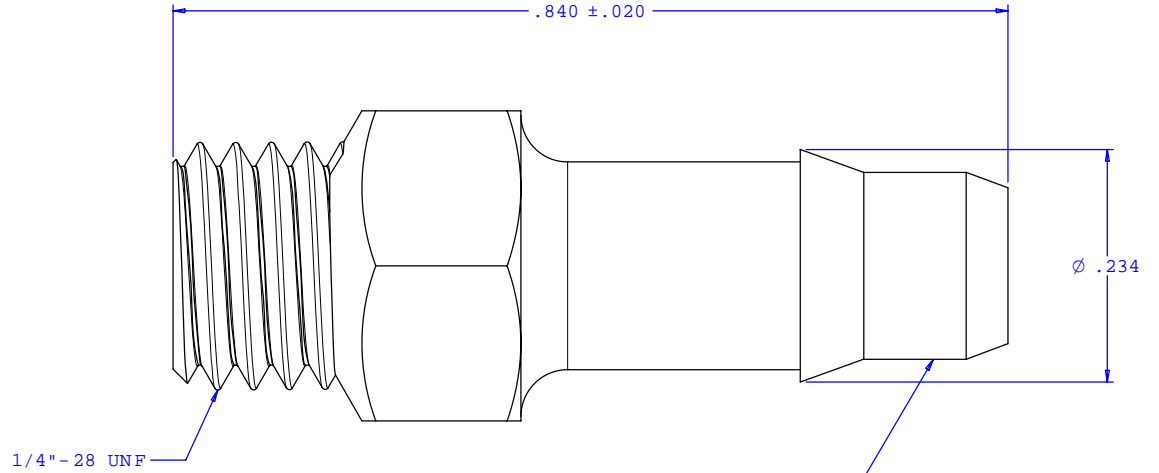
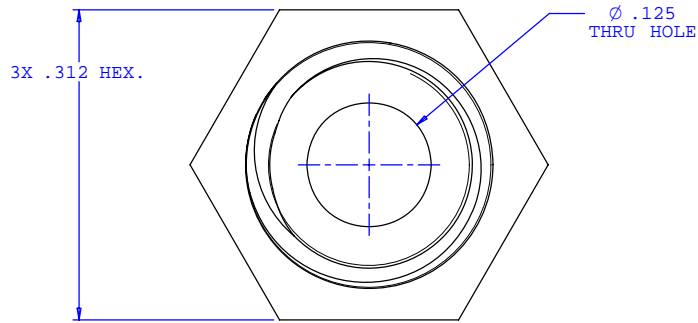
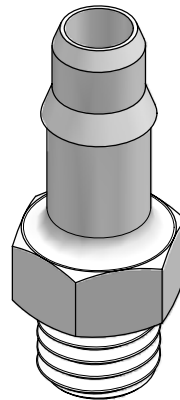


NOTE: FOR MORE DETAILS SEE YOUR V.P. CUSTOMER SERVICE REP.

REVISIONS			
REV.	DESCRIPTION	DATE	APPROVED
A	INITIAL RELEASE	06-17-98	
B	CO 031 Drafting Update	01-17-06	Rick C.



INSTRUMENT QUALITY PART. NO PARTING LINE PERMITTED ON THIS CONICAL SURFACE



UNLESS OTHERWISE SPECIFIED DIMENSIONS ARE IN INCHES TOLERANCES ARE:		VALUE PLASTICS, INC.	
FRACTIONS ±	DECIMALS .XX ±.01 .XXX ±.005 .XXXX ±.001	ANGULAR ±1°	PART NUMBER: S450
DO NOT SCALE DRAWING		DESCRIPTION: 1/4-28 UNF Thread with 5/16" Hex to 400 Series Barb, 3/16" (4.75 mm) ID Tubing	
DRAWN BY: Frank Lombardi	DATE: 10-29-05	SIZE: B SCALE: NTS	DRAWING NUMBER: 1007766 REV. B
Engineer / Manager: Rick Cairns		© 2005 VALUE PLASTICS, INC. SHEET: 1 OF 1	

FOR REFERENCE ONLY