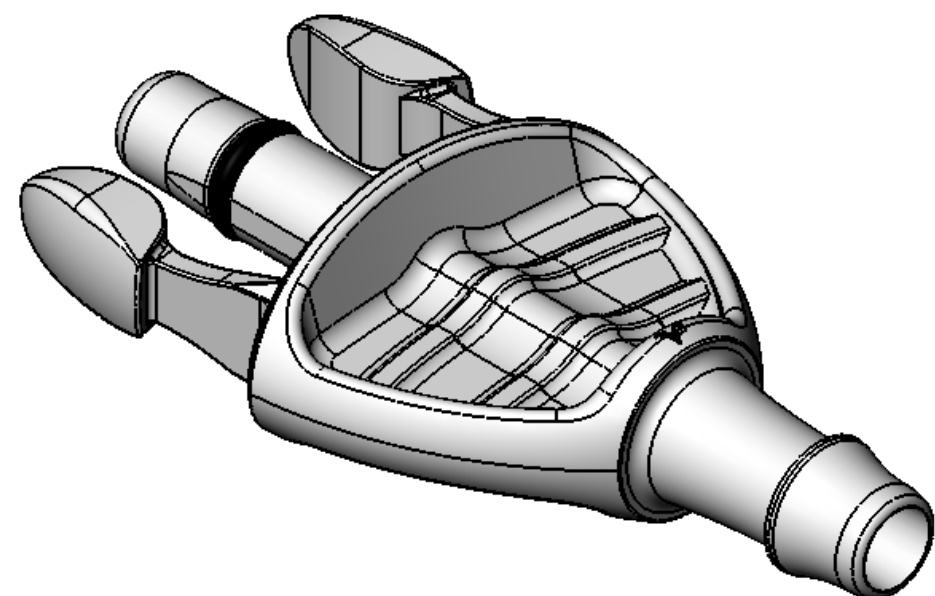
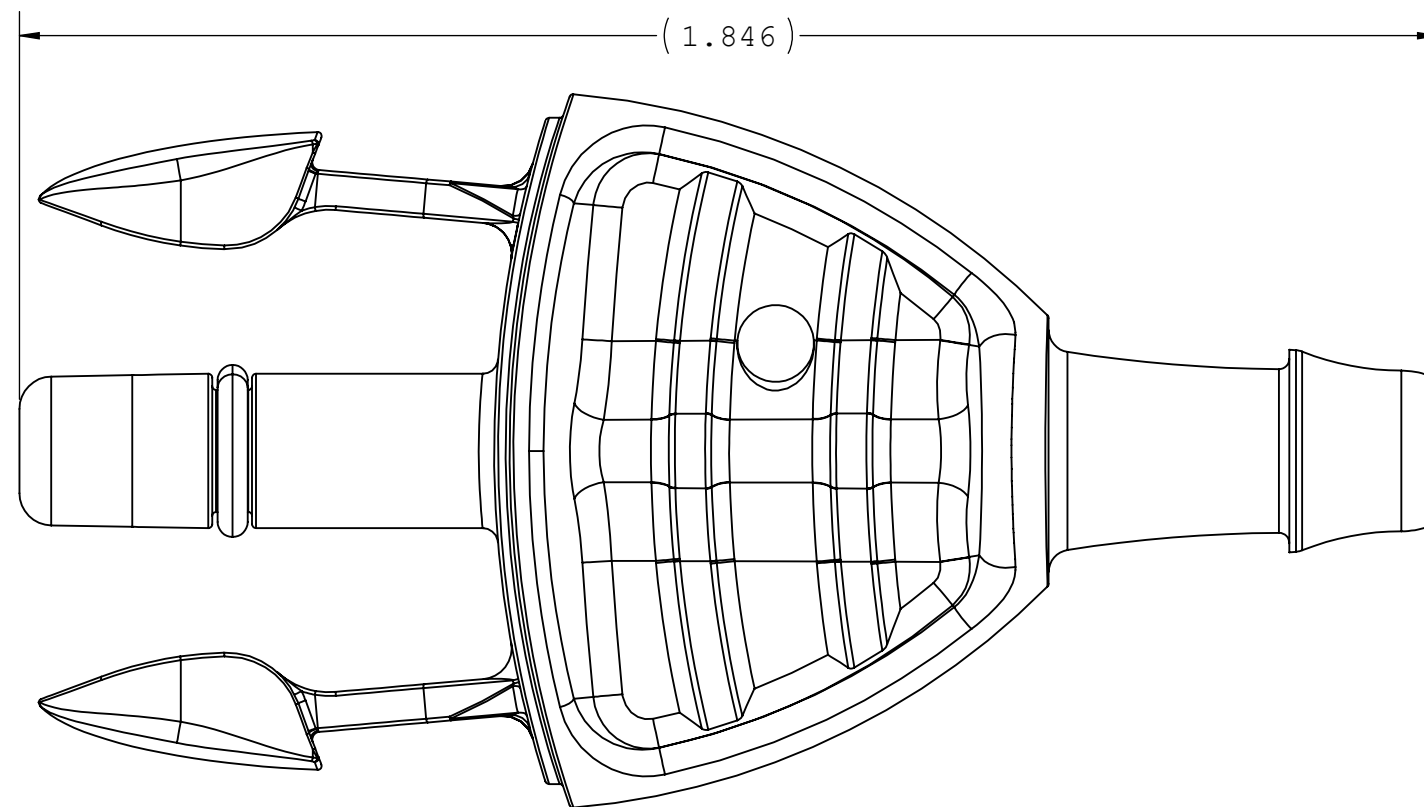
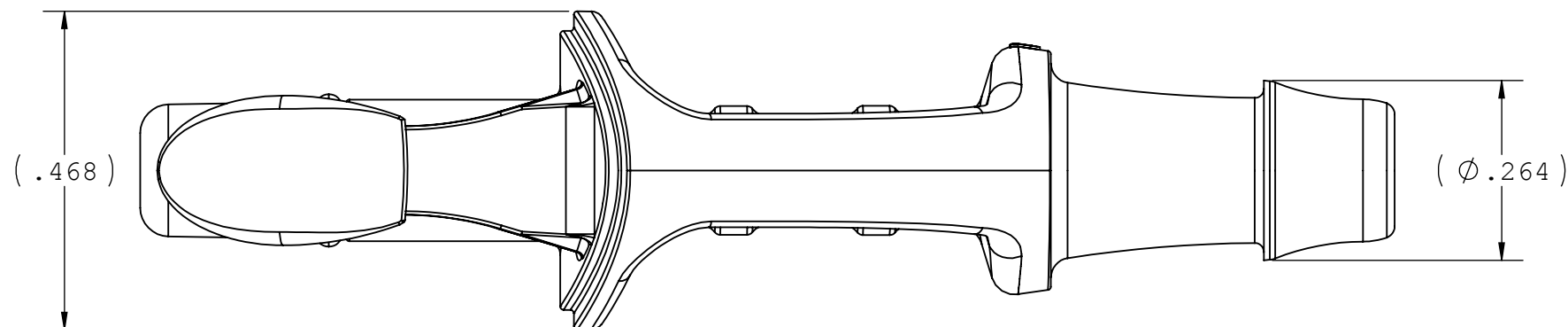
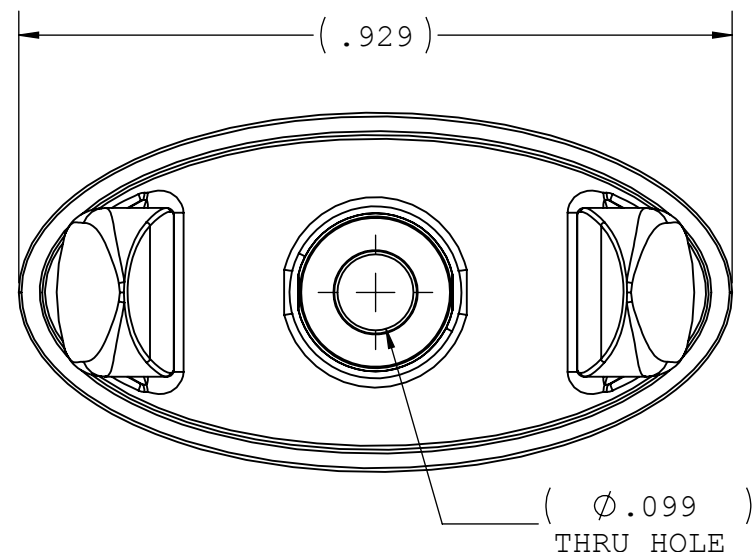


NOTES: FOR MORE DETAILS SEE YOUR V.P. SERVICE REP.

REVISIONS			
REV.	DESCRIPTION	DATE	APPROVED
A	INITIAL RELEASE	01-05-09	S.N.R



UNLESS OTHERWISE SPECIFIED DIMENSIONS ARE IN INCHES TOLERANCES ARE:		VALUE PLASTICS, INC			
FRACTIONS DECIMAL ANGULAR ± .XX ±.01 ± 1° .XXX ±.005 .XXXX ±.001		PART NUMBER: SBLM035			
DO NOT SCALE DRAWING		DESCRIPTION: Side Latch Quick Connect Male 500 Series Barb, 3/16" (4.8 mm) ID Tubing			
DRAWN BY: Frank.Lombardi	DATE: 1/6/2009	SIZE: B	SCALE: NTS	VER: 1013946	REV: A
NEW PRODUCT DEVELOPMENT MGR: R. Narayanan		© 2008 VALUE PLASTICS, INC			SHEET: 1 OF 1

FOR REFERENCE ONLY