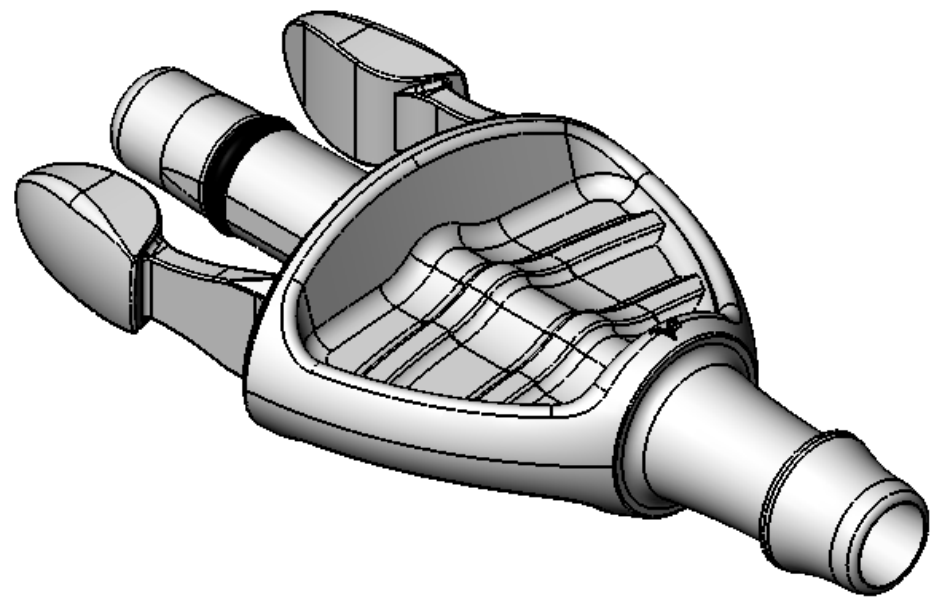
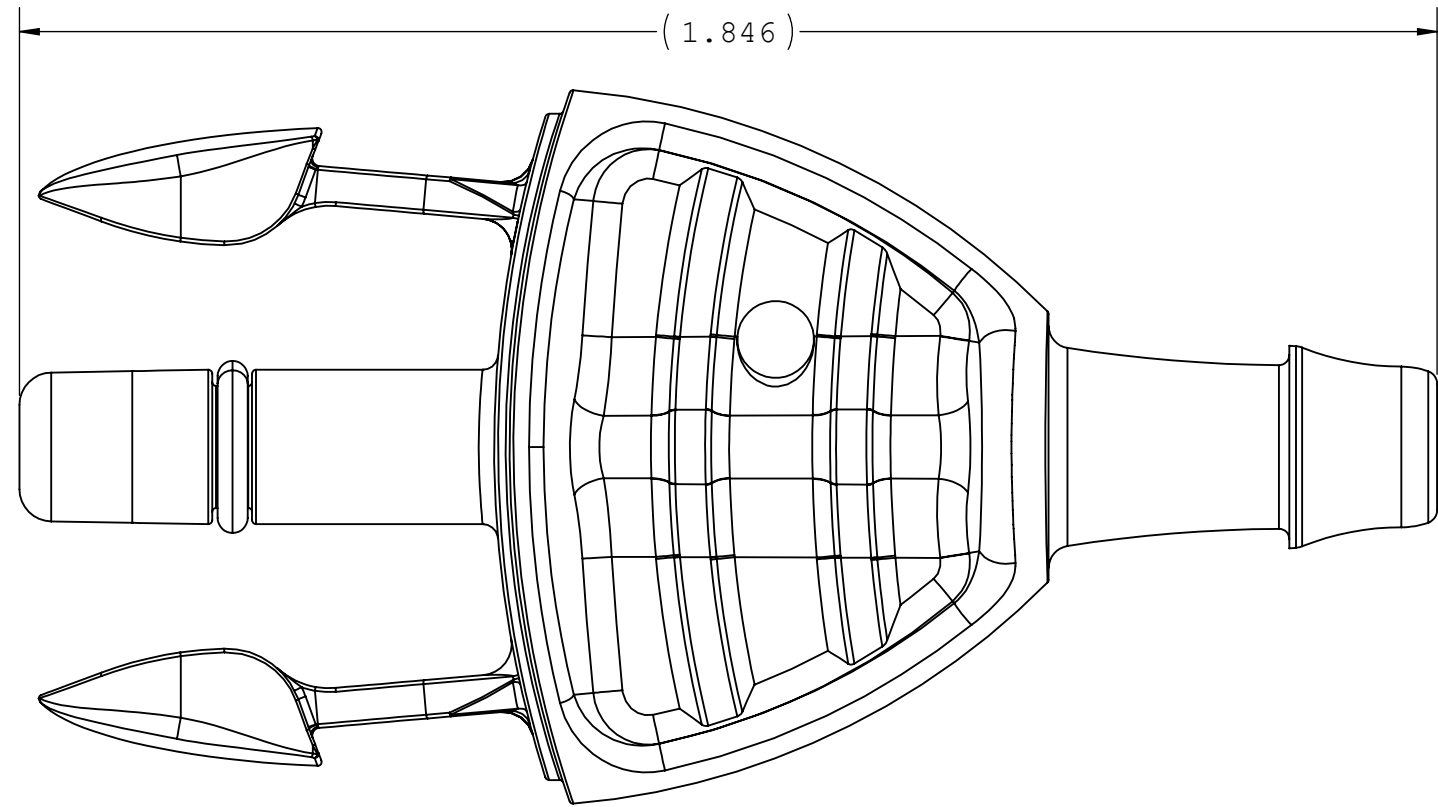
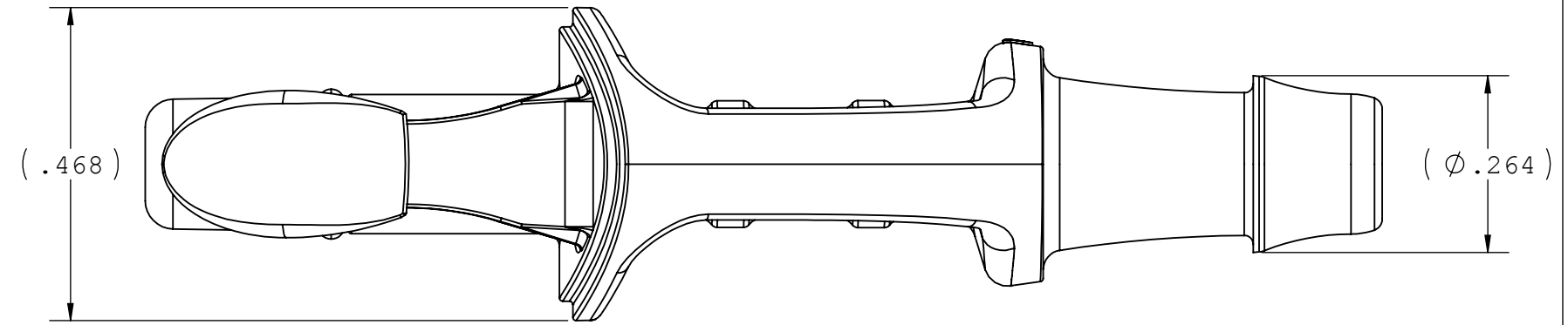
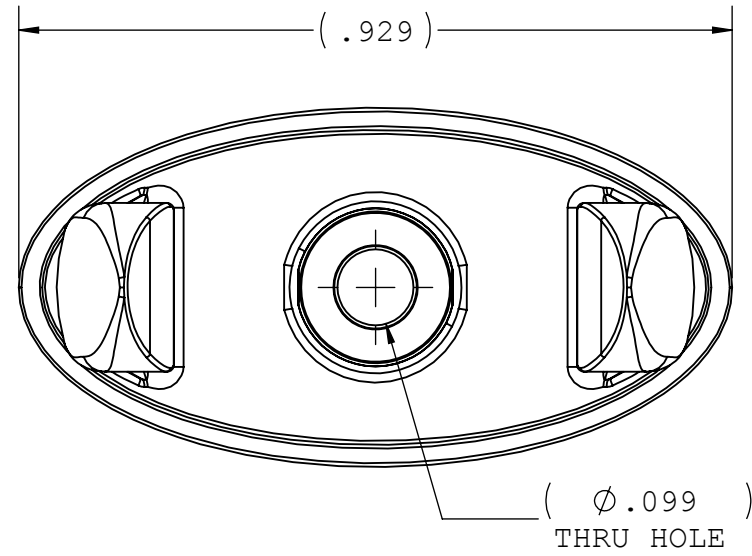


NOTES: FOR MORE DETAILS SEE YOUR V.P. SERVICE REP.

REVISIONS			
REV.	DESCRIPTION	DATE	APPROVED
A	INITIAL RELEASE	01-05-09	S.N.R

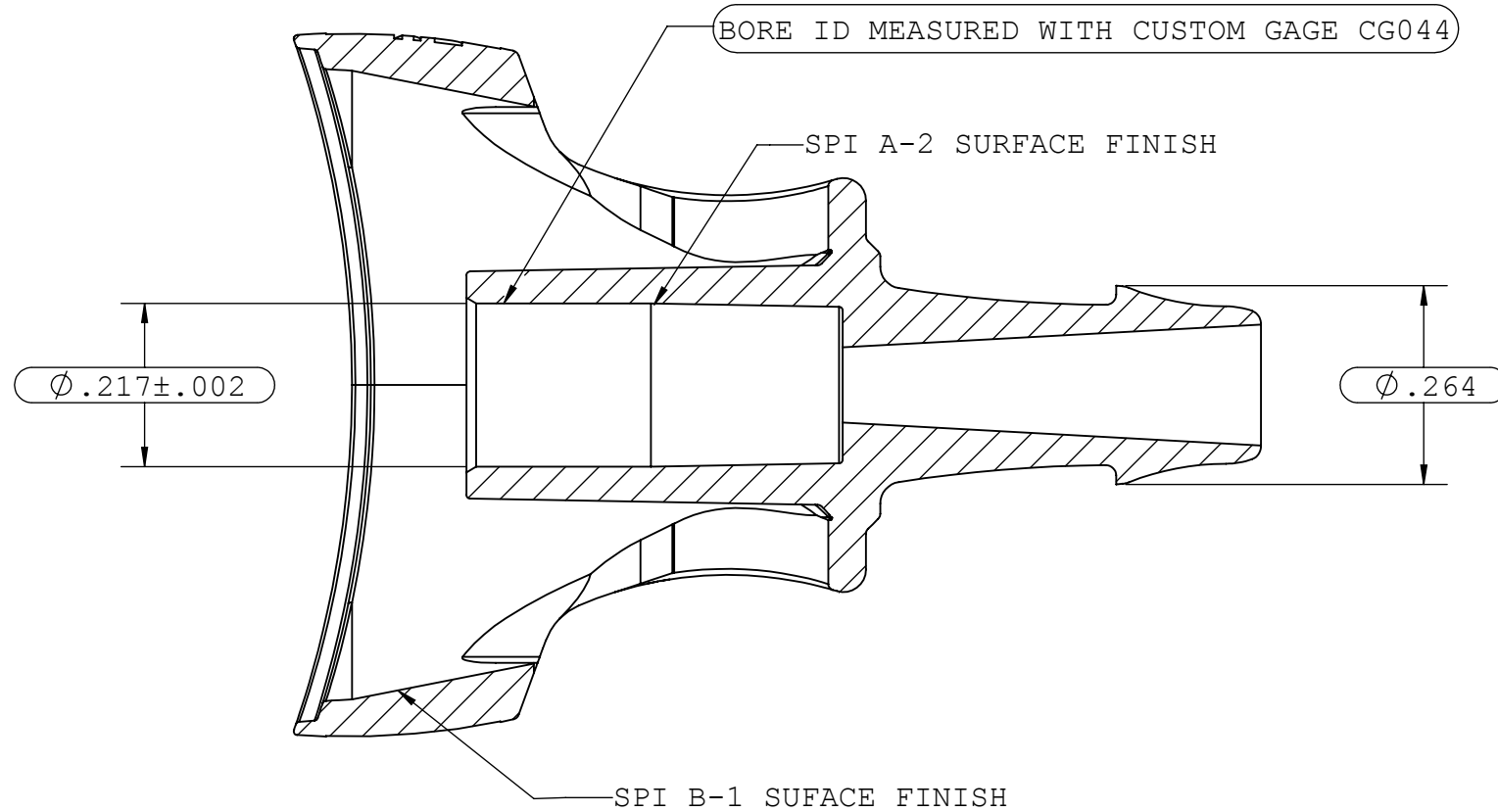
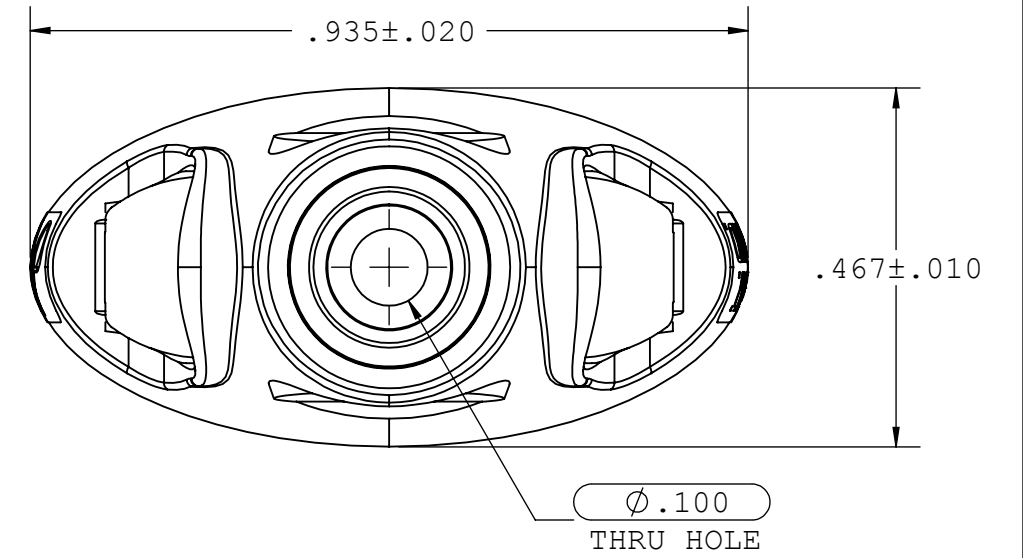
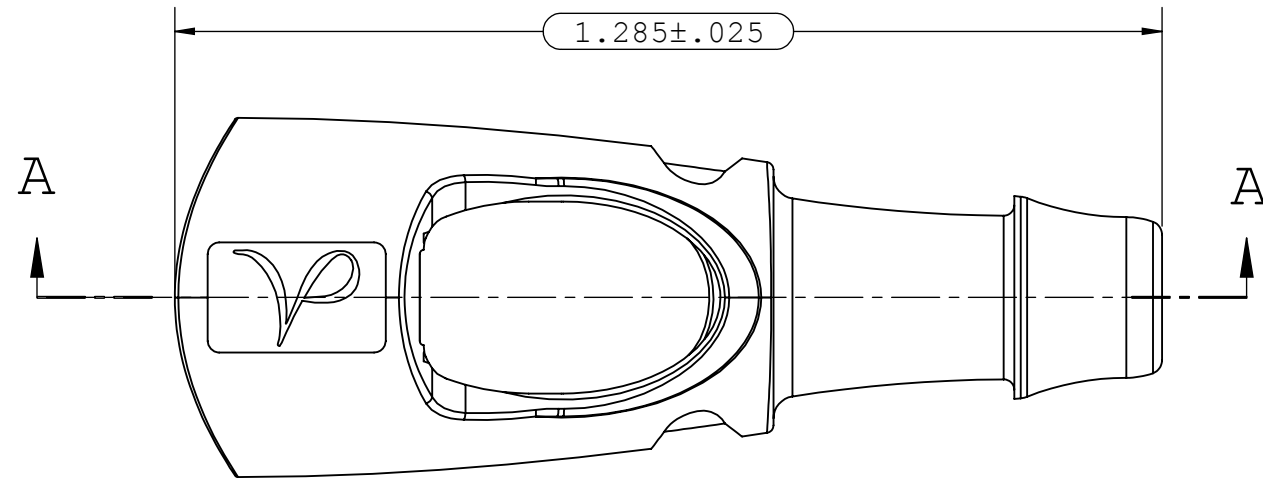


UNLESS OTHERWISE SPECIFIED DIMENSIONS ARE IN INCHES TOLERANCES ARE:		VALUE PLASTICS, INC					
FRACTIONS	DECIMAL					ANGULAR	
± .XX	± .01	± 1°	PART NUMBER: SBLM035				
± .XXX	± .005		DESCRIPTION: Side Latch Quick Connect Male 500 Series Barb, 3/16" (4.8 mm) ID Tubing				
± .XXXX	± .001		SIZE: B	SCALE: NTS	VER:	DWG. NO. 1013946	REV: A
DO NOT SCALE DRAWING		DRAWN BY: Frank.Lombardi		DATE: 1/6/2009		SHEET: 1 OF 1	
NEW PRODUCT DEVELOPMENT MGR: R. Narayanan		© 2008 VALUE PLASTICS, INC					

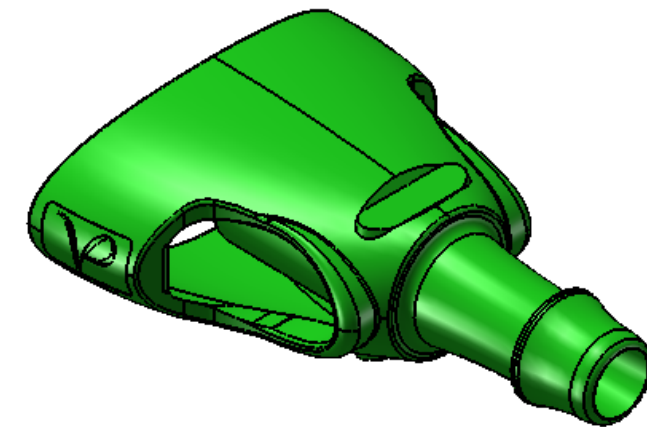
FOR REFERENCE ONLY

FOR MORE DETAILS, PLEASE CONTACT VP CUSTOMER SERVICE

REVISIONS			
REV.	DESCRIPTION	DATE	APPROVED
A	INITIAL RELEASE	01-15-09	S.N.R



SECTION A-A



UNLESS OTHERWISE SPECIFIED DIMENSIONS ARE IN INCHES TOLERANCES ARE:		VALUE PLASTICS, INC			
FRACTIONS	DECIMAL	ANGULAR	PART NUMBER: SBLF035		
±	.XX ±.01	± 1°	DESCRIPTION: Side Latch Quick Connect Female 500 Series Barb, 3/16" (4.8 mm) ID Tubing		
	.XXX ±.005		SIZE: B	SCALE: NTS	DWG. NO. 1013944
	.XXXX ±.001		DRAWN BY: Frank.Lombardi		DATE: 1/28/2009
DO NOT SCALE DRAWING			CHECKED BY: R. Narayanan	REV A	
© 2008 VALUE PLASTICS, INC				SHEET: 1 OF 1	

FOR REFERENCE ONLY