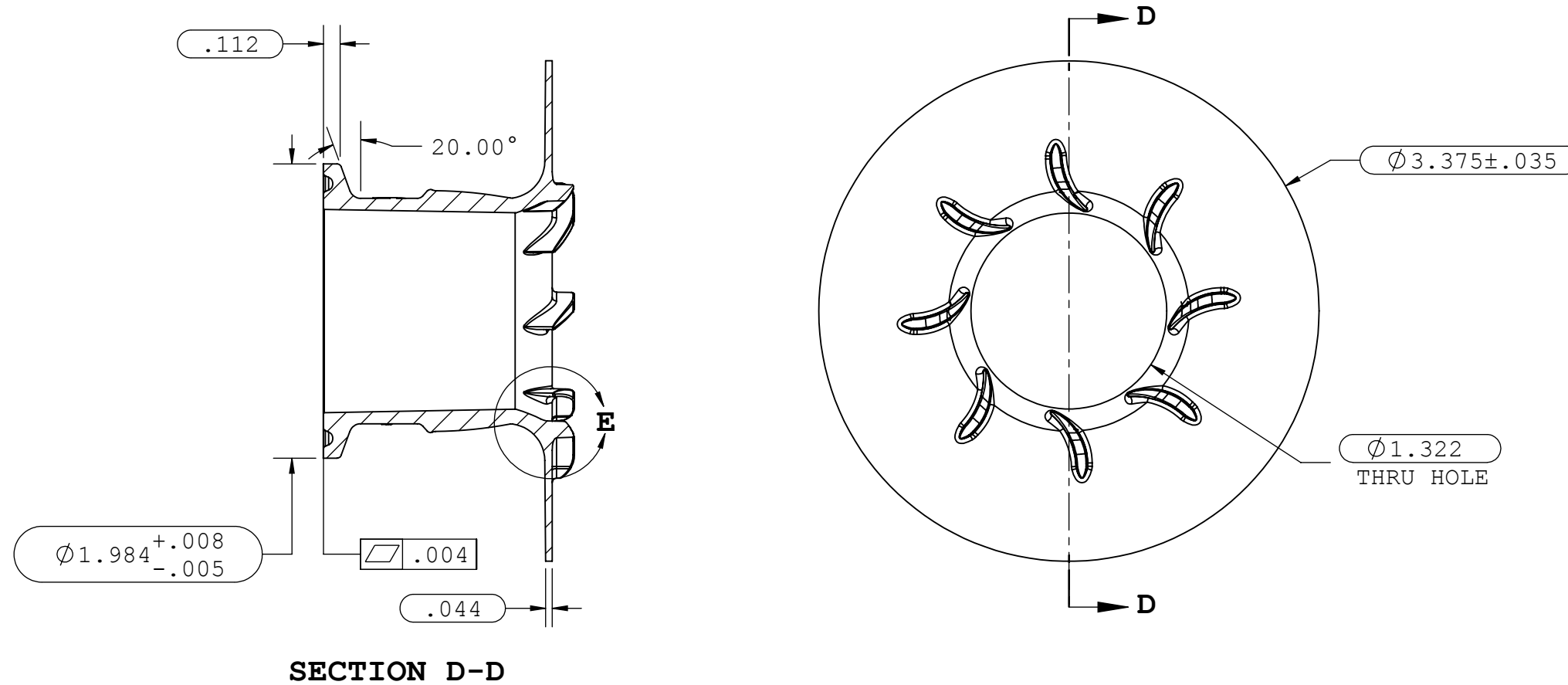
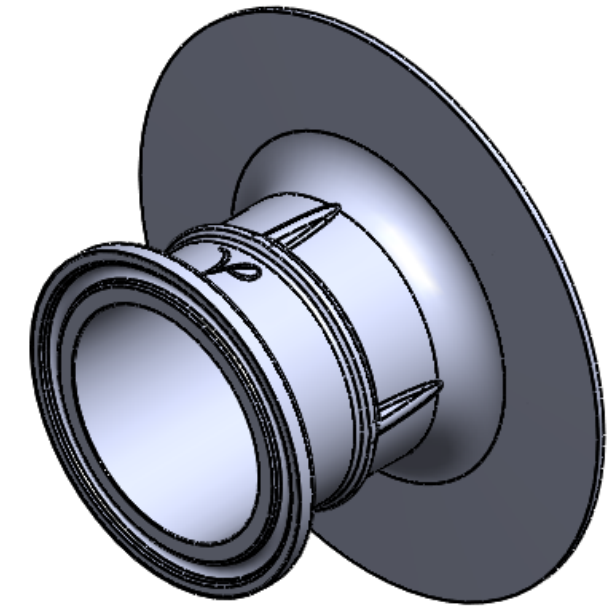
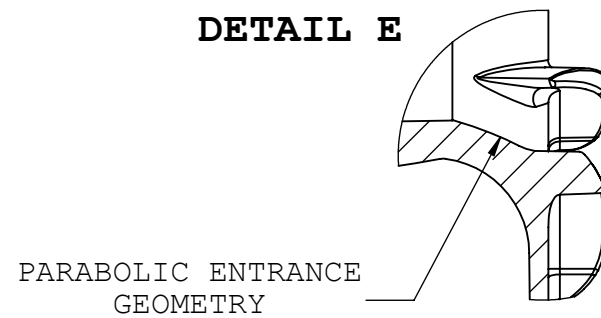


- NOTES: 1) FOR ADDITIONAL DETAILS, PLEASE CONTACT VP CUSTOMER SERVICE
 2) DIMENSIONS MARKED \varnothing ARE CONTROL DIMENSIONS
 3) ALL INTERIOR SURFACES HAVE A 15 Ra MICROINCH SURFACE FINISH OR FINER
 4) ALL EXTERIOR SURFACES HAVE A 20 Ra MICROINCH SURFACE FINISH OR FINER
 5) VALUE PLASTICS BAG PORT SANITARY FERRULES ARE DESIGNED TO COMPLY WITH ASME BPE-2009 TABLE DT-5-2 HYGIENIC CLAMP FERRULE STANDARD DIMENSIONS. PRODUCT TOLERANCES COMPLY WITH VALUE PLASTICS ENGINEERING STANDARDS OR AS SPECIFIED ON THE PRINT. ALL INTERIOR AND EXTERIOR SURFACE FINISHES COMPLY WITH ASME BPE-2009 TABLE SF-P-2 Ra SURFACE ROUGHNESS GUIDELINES FOR PRODUCT CONTACT SURFACES.
 6) USE CG076 TO MEASURE GASKET GROOVE DIMENSIONS

REVISIONS			
REV.	DESCRIPTION	DATE	APPROVED
A	INITIAL RELEASE	1/10/12	S.N.R



DETAIL E



UNLESS OTHERWISE SPECIFIED DIMENSIONS ARE IN INCHES TOLERANCES ARE:		VALUE PLASTICS, INC			
FRACTIONS DECIMAL ANGULAR \pm .XX \pm .01 \pm 1° \pm .XXX \pm .005 \pm .XXXX \pm .001		PART NUMBER: SFBPF1			
DO NOT SCALE DRAWING		DESCRIPTION: SANITARY FITTING BAG PORT FLANGE TO 1/2" TRICLAMP CONNECTION			
DRAWN BY: kyles	DATE: 1/10/2012	SIZE: B	SCALE: NTS	VER: 	DWG. NO. 1021912
NEW PRODUCT DEVELOPMENT MGR: R. Narayanan		© 2010 VALUE PLASTICS, INC			REV A
					SHEET: 1 OF 1

FOR REFERENCE ONLY