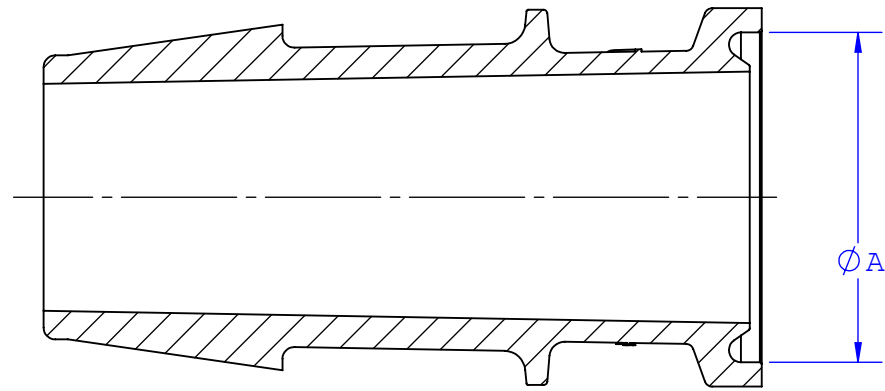


- NOTES: 1. FOR ADDITIONAL DETAILS, PLEASE CONTACT VP PRODUCT DEVELOPMENT
 2. DIMENSIONS MARKED \square ARE CONTROL DIMENSIONS
 3. ALL EXTERIOR SURFACES HAVE A 20 Ra MICRINCH SURFACE FINISH OR BETTER
 4. ALL INTERIOR SURFACES HAVE A 15 Ra MICRINCH SURFACE FINISH OR BETTER

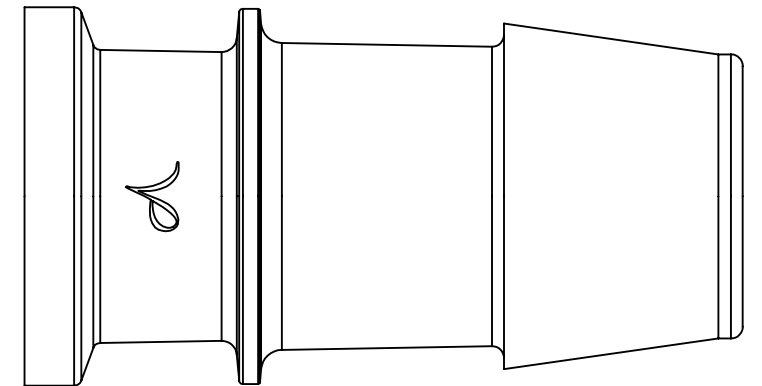
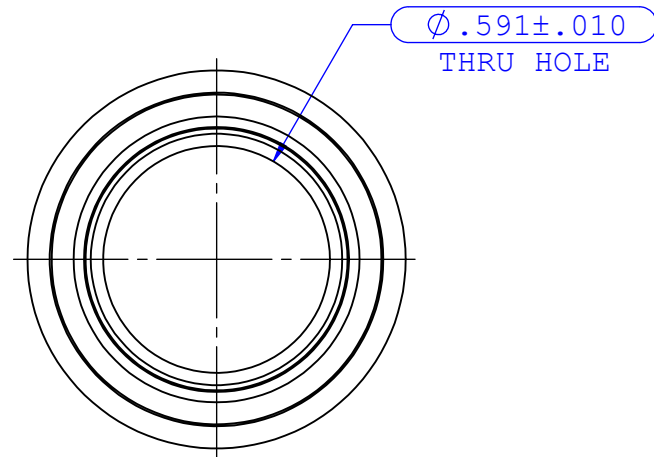
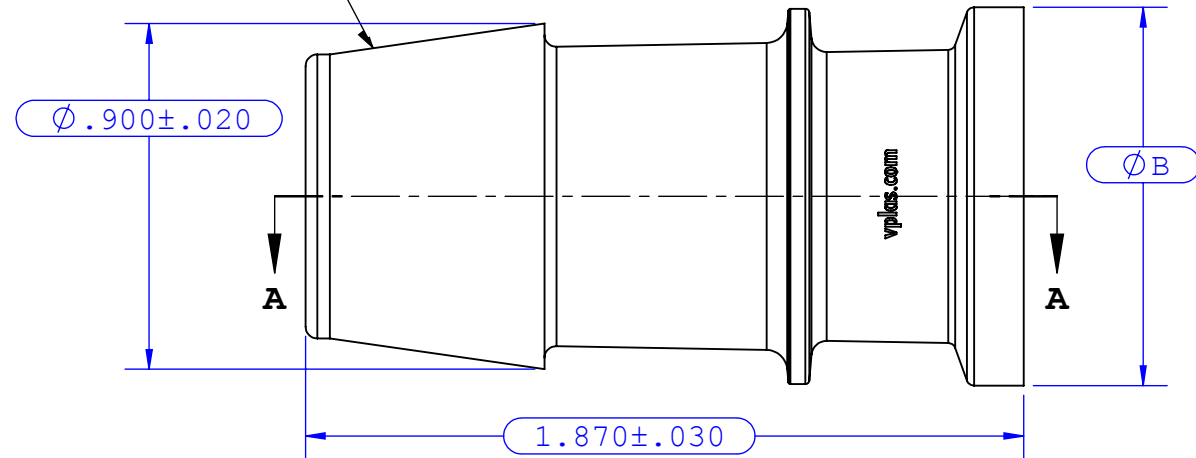
REVISIONS			
REV.	DESCRIPTION	DATE	APPROVED
A	INITIAL RELEASE	12-03-08	S.N.R.



SECTION A-A



INSTRUMENT QUALITY PART. NO PARTING LINE PERMITTED ON THIS CONICAL SURFACE.



Dimension	Material Specific Tolerances							
	Acetal	Nylon	PP	ABS	PC	PVC	Polysulfone	PVDF
A			0.859±0.008					0.859±0.012
B			0.985±0.008					0.985±0.012
C								
D								
E								
F								

UNLESS OTHERWISE SPECIFIED DIMENSIONS ARE IN INCHES TOLERANCES ARE: <small>FRACTIONS .XX ±.01 ANGULAR ± 1° .XXX ±.005 .XXXX ±.001</small> DO NOT SCALE DRAWING		VALUE PLASTICS, INC			
DRAWN BY: marcl		DATE: 12/3/2008		PART NUMBER: SFMN6100	
NEW PRODUCT DEVELOPMENT MGR: R. Narayanan		SIZE: B	SCALE: NTS	VER: 1013771	DWG. NO. 1013771
				DESCRIPTION: Sanitary Fitting, Mini Flange to 600 Series Barb, 3/4" (19.0 mm) Tubing ID	
				REV: A	
				SHEET: 1 OF 1	

FOR REFERENCE ONLY