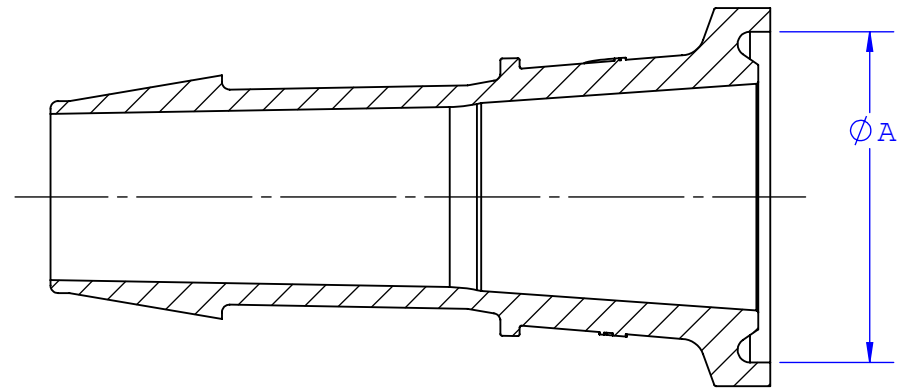
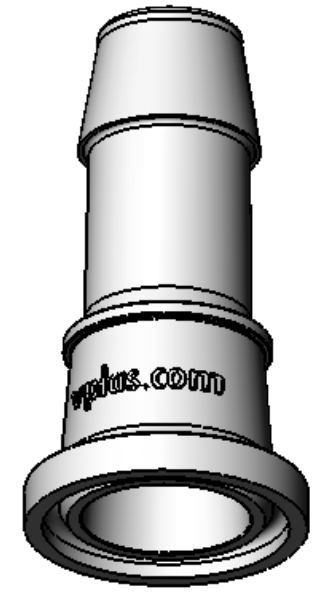


- NOTES: 1. FOR ADDITIONAL DETAILS, PLEASE CONTACT VP PRODUCT DEVELOPMENT
 2. DIMENSIONS MARKED \square ARE CONTROL DIMENSIONS
 3. ALL EXTERIOR SURFACES HAVE A 20 Ra MICRINCH SURFACE FINISH OR BETTER
 4. ALL INTERIOR SURFACES HAVE A 15 Ra MICRINCH SURFACE FINISH OR BETTER

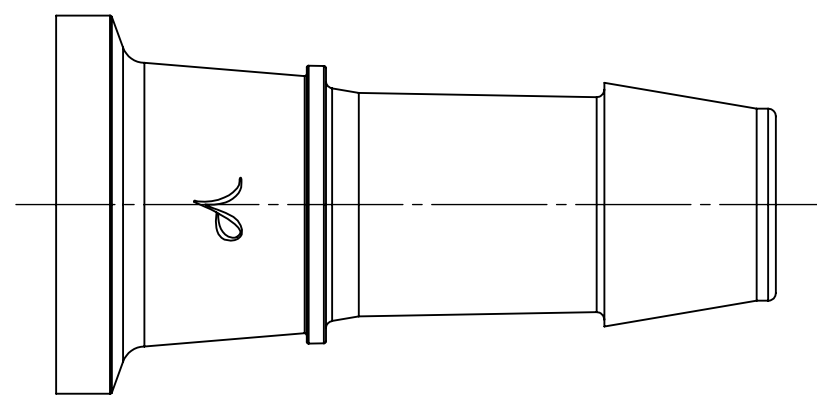
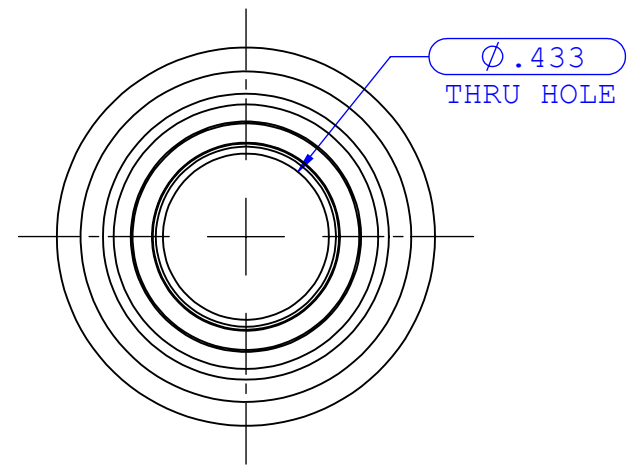
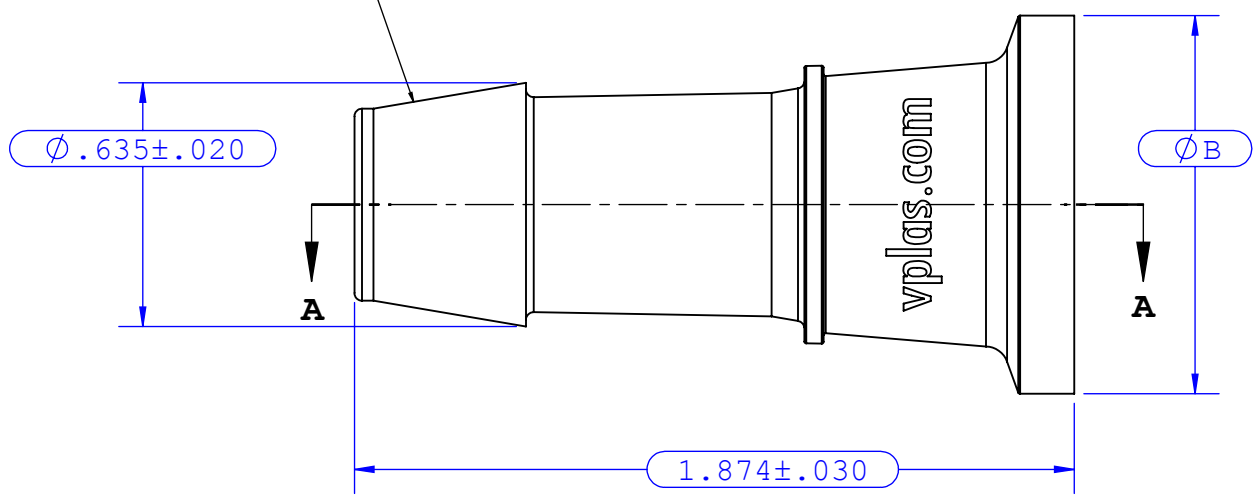
REVISIONS			
REV.	DESCRIPTION	DATE	APPROVED
A	INITIAL RELEASE	3-15-08	S.N.R.
B	MODIFIED TOLERANCES ON SEVERAL DIMENSIONS	6-26-08	S.N.R.
C	ADDED MATERIAL SPECIFIC DIMENSIONS	12-04-08	S.N.R.



SECTION A-A



INSTRUMENT QUALITY PART. NO PARTING LINE PERMITTED ON THIS CONICAL SURFACE.



Dimension	Material Specific Tolerances							
	Acetal	Nylon	PP	ABS	PC	PVC	Polysulfone	PVDF
A			0.859±0.008					0.859±0.012
B			0.985±0.008					0.985±0.012
C								
D								
E								
F								

UNLESS OTHERWISE SPECIFIED DIMENSIONS ARE IN INCHES TOLERANCES ARE:

FRACTIONS	DECIMAL	ANGULAR
±	.XX ±.01	± 1°
	.XXX ±.005	
	.XXXX ±.001	

DO NOT SCALE DRAWING

VALUE PLASTICS, INC

PART NUMBER: SFMN680

DESCRIPTION: Sanitary Fitting, Mini 1" Flange to 600 Series Barb, 1/2" (12.7 mm) Tubing ID

DRAWN BY: petel	DATE: 12/4/2008	SIZE: B	SCALE: NTS	VER:	DWG. NO. 1010494	REV C
--------------------	--------------------	-------------------	---------------	------	---------------------	----------

NEW PRODUCT DEVELOPMENT MGR:
R. Narayanan

© 2008 VALUE PLASTICS, INC SHEET: 1 OF 1

FOR REFERENCE ONLY