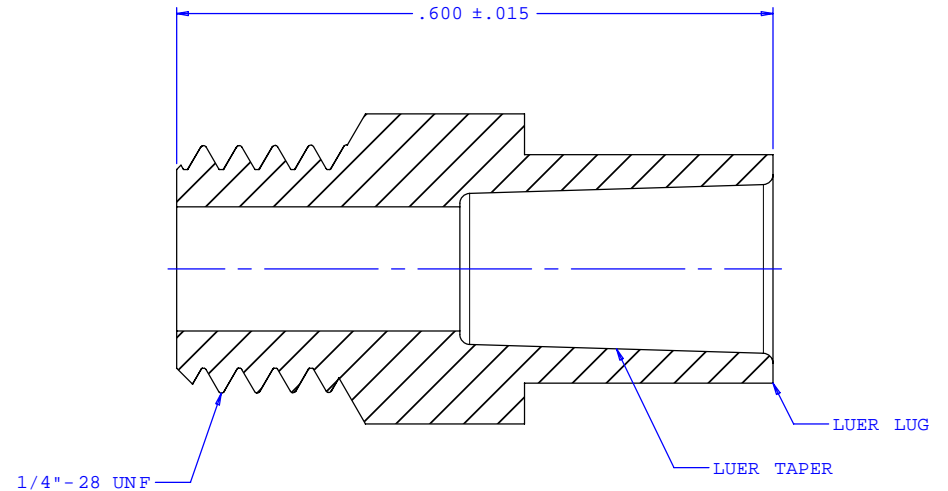
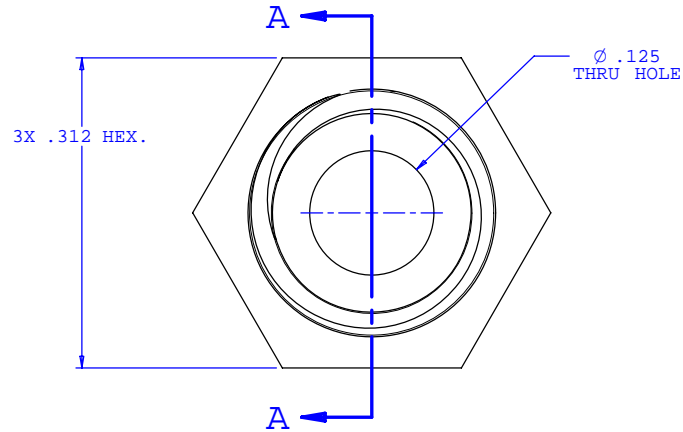
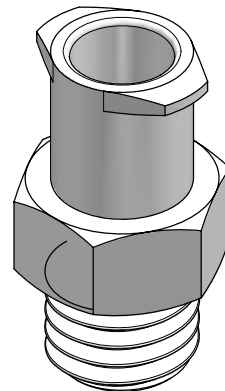


NOTE: FOR MORE DETAILS SEE YOUR V.P.CUSTOMER SERVICE REP.

REVISIONS			
REV.	DESCRIPTION	DATE	APPROVED
A	INITIAL RELEASE	02-16-98	
B	CO 031 Drafting Update	01-17-06	Rick C.



SECTION A-A



UNLESS OTHERWISE SPECIFIED DIMENSIONS ARE IN INCHES TOLERANCES ARE:		<b>VALUE PLASTICS, INC.</b>	
FRACTIONS ±	DECIMALS .XX ±.01 .XXX ±.005 .XXXX ±.001	ANGULAR ±1°	PART NUMBER: <b>SFTL</b>
DO NOT SCALE DRAWING		DESCRIPTION: Female Luer Lug Style with 5/16" Hex to 1/4-28 UNF Thread	
DRAWN BY: <b>Frank Lombardi</b>	DATE: <b>10-29-05</b>	SIZE: <b>B</b>	SCALE: <b>NTS</b>
Engineer/Manager: <b>Rick Cairns</b>		DRAWING NUMBER: <b>1007764</b>	REV. <b>B</b>
© 2005 VALUE PLASTICS, INC.		SHEET: 1 OF 1	

**FOR REFERENCE ONLY**