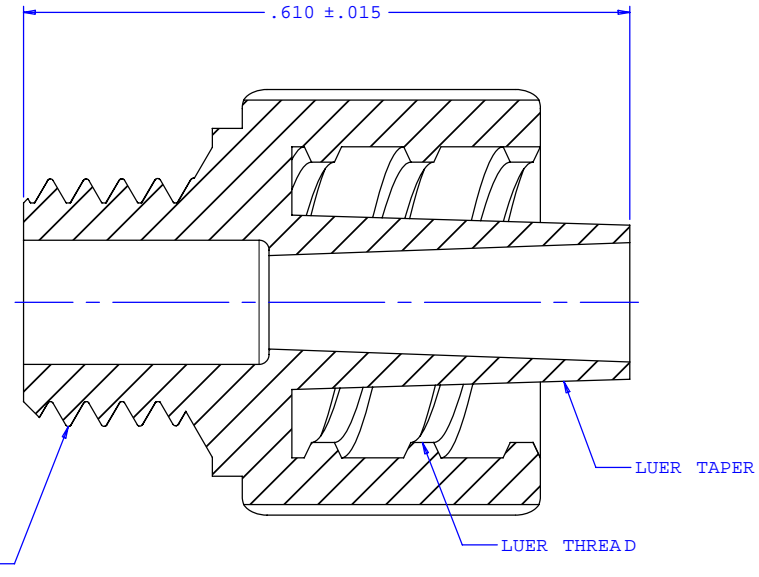
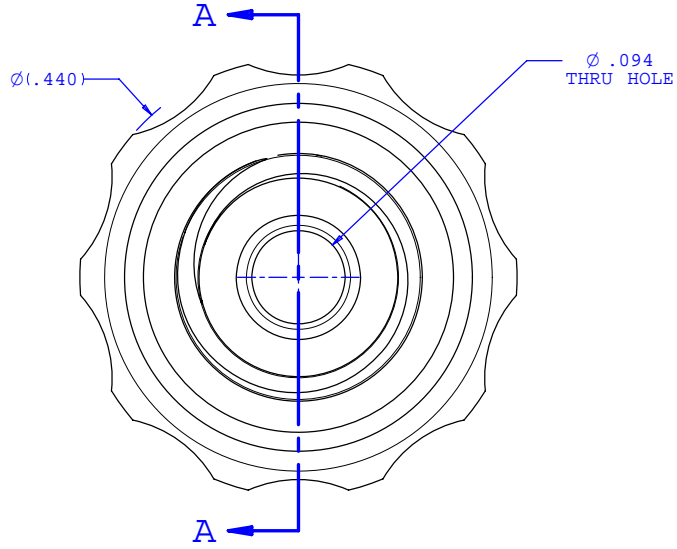
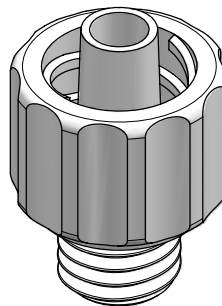


NOTE: FOR MORE DETAILS SEE YOUR V.P.CUSTOMER SERVICE REP.

| REVISIONS | | | |
|-----------|------------------------|----------|----------|
| REV. | DESCRIPTION | DATE | APPROVED |
| A | INITIAL RELEASE | 03-05-98 | |
| B | CO 031 Drafting Update | 01-17-06 | Rick C. |



SECTION A-A



| | | | |
|---|---|---|--|
| UNLESS OTHERWISE SPECIFIED DIMENSIONS ARE IN INCHES TOLERANCES ARE: | | VALUE PLASTICS, INC. | |
| FRACTIONS ± | DECIMALS .XX ±.01 .XXX ±.005 .XXXX ±.001 | ANGULAR ±1° | PART NUMBER: SMTLL |
| DO NOT SCALE DRAWING | | DESCRIPTION: Male Luer Integral Lock Ring to 1/4-28 UNF Thread | |
| DRAWN BY: Frank Lombardi | DATE: 10-29-05 | SIZE: B SCALE: NTS | DRAWING NUMBER: 1007763 REV. B |
| Engineer/Manager: Rick Cairns | | © 2005 VALUE PLASTICS, INC. SHEET: 1 OF 1 | |

FOR REFERENCE ONLY