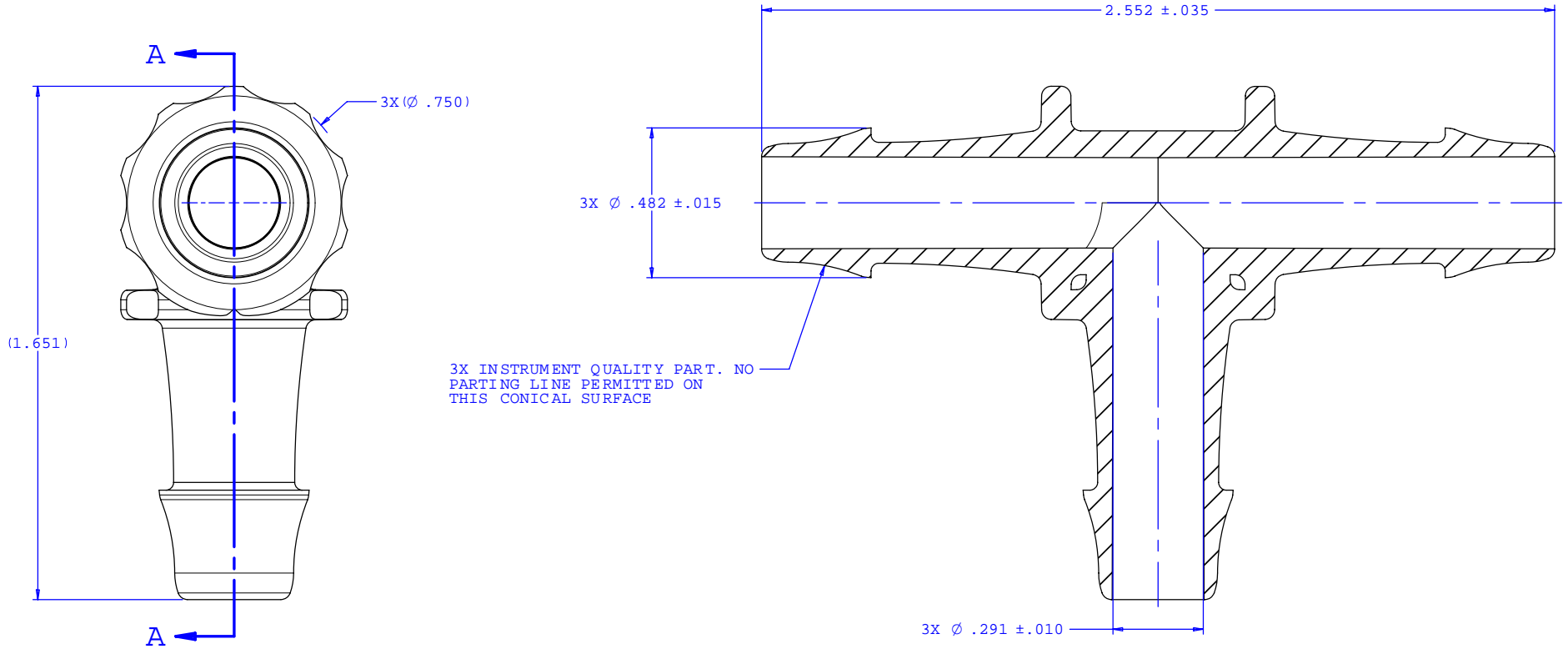
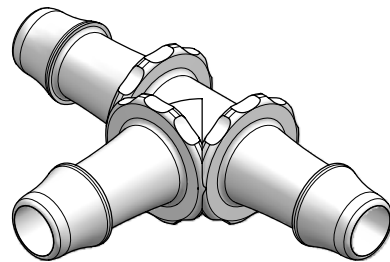


NOTE: FOR MORE DETAILS SEE YOUR V.P. CUSTOMER SERVICE REP.

REVISIONS			
REV.	DESCRIPTION	DATE	APPROVED
A	INITIAL RELEASE	12-19-02	
B	CO 046 Drafting Update	08-22-06	Rick C.



SECTION A-A



UNLESS OTHERWISE SPECIFIED DIMENSIONS ARE IN INCHES TOLERANCES ARE:		<b>VALUE PLASTICS, INC.</b>	
FRACTIONS ±	DECIMALS .XX ±.01 .XXX ±.005 .XXXX ±.001	ANGULAR ±1°	PART NUMBER: T070
DO NOT SCALE DRAWING		DESCRIPTION: Tee Connector with 500 Series Barbs, 3/8" (9.5mm) ID Tubing	
DRAWN BY: Frank Lombardi	DATE: 06-01-06	SIZE: B	SCALE: NTS
Engineer/Manager: Rick Cairns		DRAWING NUMBER: 1008942	REV. B
		© 2006 VALUE PLASTICS, INC.	SHEET: 1 OF 1

**FOR REFERENCE ONLY**