
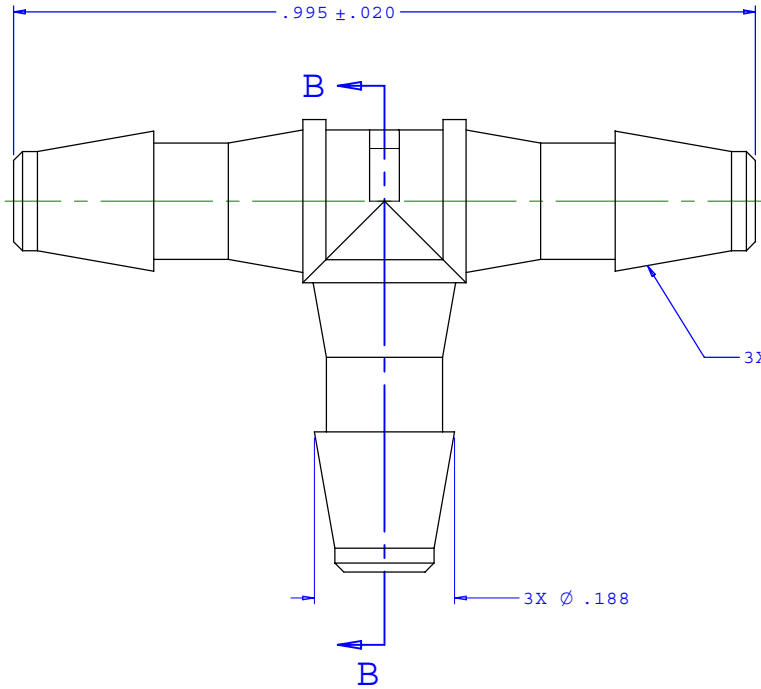
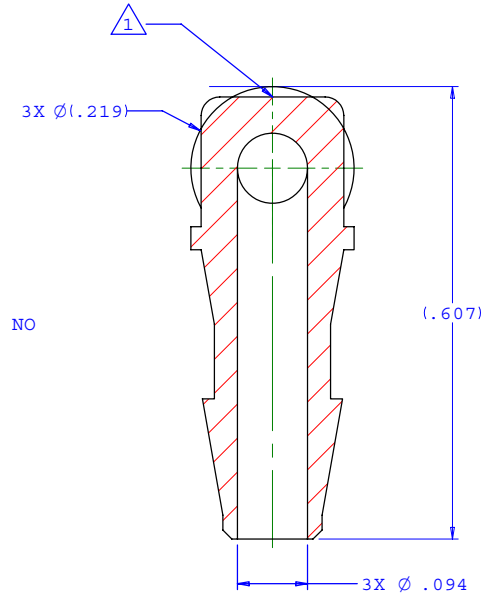


NOTE: FOR MORE DETAILS SEE YOUR V.P.CUSTOMER SERVICE REP.

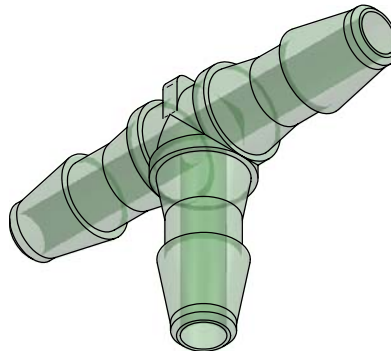
 GATE FEATURE MAY OR MAY NOT BE PRESENT ON PART.



3X INSTRUMENT QUALITY PART. NO PARTING LINE PERMITTED ON THIS CONICAL SURFACE



SECTION B-B



REVISIONS			
REV.	DESCRIPTION	DATE	APPROVED
A	INITIAL RELEASE	10-01-02	
B	CO 013 Drafting Update	05-02-05	Rick C.

UNLESS OTHERWISE SPECIFIED DIMENSIONS ARE IN INCHES TOLERANCES ARE:		VALUE PLASTICS, INC.	
FRACTIONS	DECIMALS	ANGULAR	PART NUMBER: T230
± .XX	± .01	± 1°	DESCRIPTION: Tee Connector with 200 Series Barbs, 1/8" (3 mm) ID Tubing
± .XXX	± .005		SIZE: B SCALE: NTS DRAWING NUMBER: 1005494 REV. B
± .XXXX	± .001		© 2004 VALUE PLASTICS, INC. SHEET: 1 OF 1
DO NOT SCALE DRAWING			
DRAWN BY: Frank Lombardi 4-18-05 DATE:			
Engineer Manager: Rick Cairns			

FOR REFERENCE ONLY