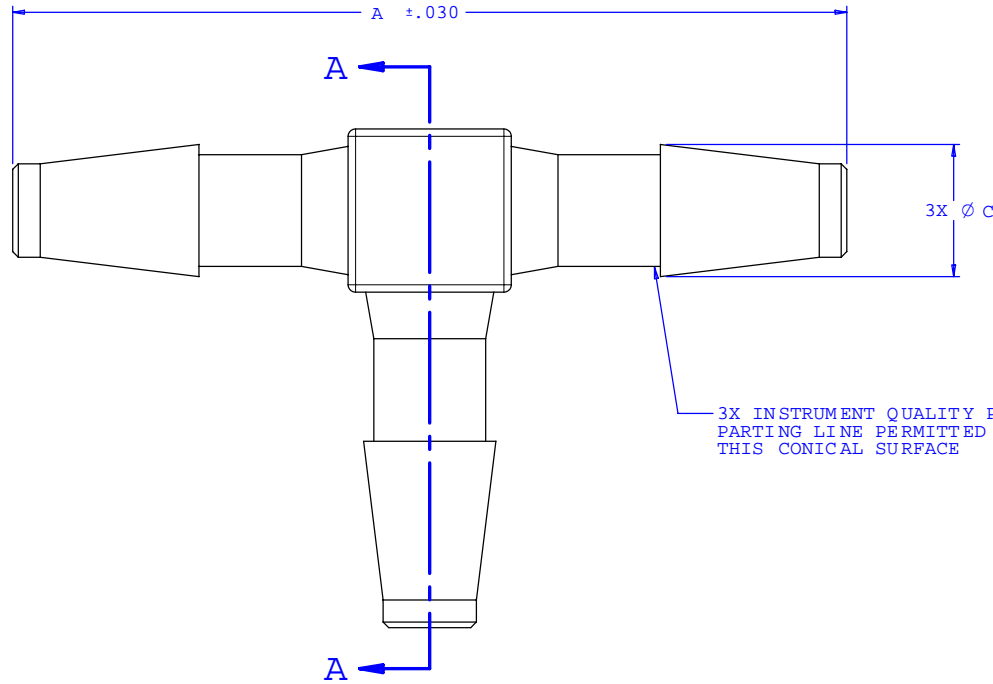
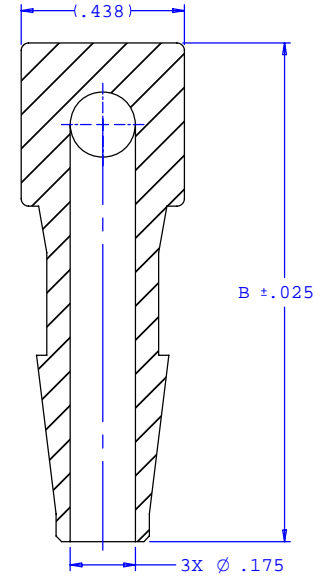


NOTE: FOR MORE DETAILS SEE YOUR V.P. CUSTOMER SERVICE REP.

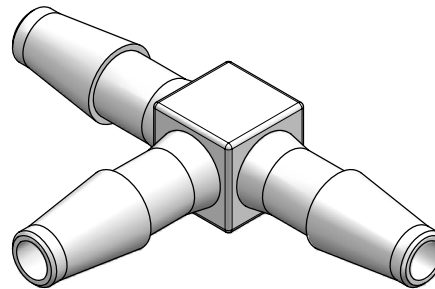
REVISIONS			
REV.	DESCRIPTION	DATE	APPROVED
A	INITIAL RELEASE	10-09-96	
B	CO 024 Drafting Update	10-04-05	Rick C.



3X INSTRUMENT QUALITY PART. NO PARTING LINE PERMITTED ON THIS CONICAL SURFACE



SECTION A-A



Dimension	Material Specific Tolerances							
	Acetal	Nylon	PP	ABS	PC	PVC	Polysulfone	J1A
A	2.238	2.238	2.238	2.238	2.238	2.238	2.238	2.208
B	1.338	1.338	1.338	1.338	1.338	1.338	1.338	1.313
C	.355	.352	.355	.355	.355	.355	.355	.350
D								
E								
F								

UNLESS OTHERWISE SPECIFIED DIMENSIONS ARE IN INCHES TOLERANCES ARE:		VALUE PLASTICS, INC.	
FRACTIONS ±	DECIMALS .XX ±.01 .XXX ±.005 .XXXX ±.001	ANGULAR ±1°	PART NUMBER: T60
DO NOT SCALE DRAWING		DESCRIPTION: Tee Connector with Classic Series Barbs, 1/4" (6.25 mm) ID Tubing	
DRAWN BY: Frank Lombardi	DATE: 07-29-05	SIZE: B SCALE: NTS	DRAWING NUMBER: 1007242 REV. B
Engineer/Manager: Rick Cairns		© 2005 VALUE PLASTICS, INC. SHEET: 1 OF 1	

FOR REFERENCE ONLY