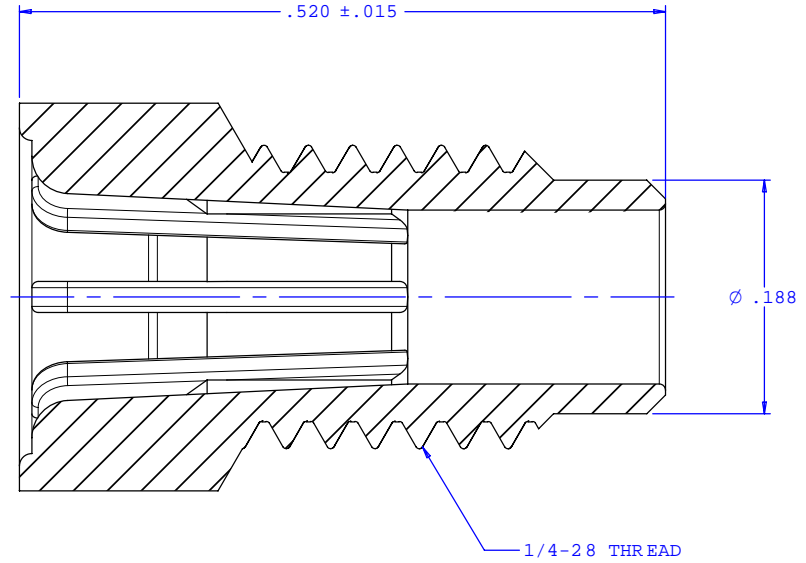
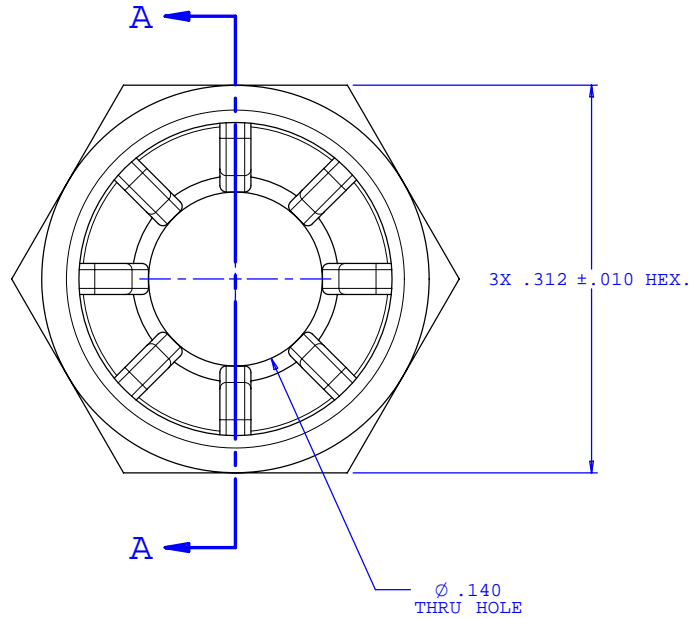
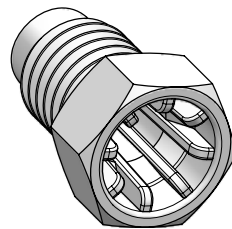


NOTE: FOR MORE DETAILS SEE YOUR V.P. CUSTOMER SERVICE REP.

REVISIONS			
REV.	DESCRIPTION	DATE	APPROVED
A	INITIAL RELEASE	03-24-99	
B	CO 046 DRAFTING UPDATE	07-23-07	Rick C.



SECTION A-A



UNLESS OTHERWISE SPECIFIED DIMENSIONS ARE IN INCHES TOLERANCES ARE:		VALUE PLASTICS, INC.	
FRACTIONS ±	DECIMALS .XX ±.01 .XXX ±.005 .XXXX ±.001	ANGULAR ±1°	PART NUMBER: TECS118
DO NOT SCALE DRAWING		DESCRIPTION: 1/4-28 UNF Bottom Sealing Thread Tube End Coupler with 5/16" Hex, 1/8" (3 mm) OD Tubing	
DRAWN BY: Randy Sakurada	DATE: 01-22-07	SIZE: B	SCALE: NTS
ENGINEER/MANAGER: Rick Cairns		DRAWING NUMBER: 1010100	REV. B
© 2007 VALUE PLASTICS, INC.			SHEET: 1 OF 1

FOR REFERENCE ONLY