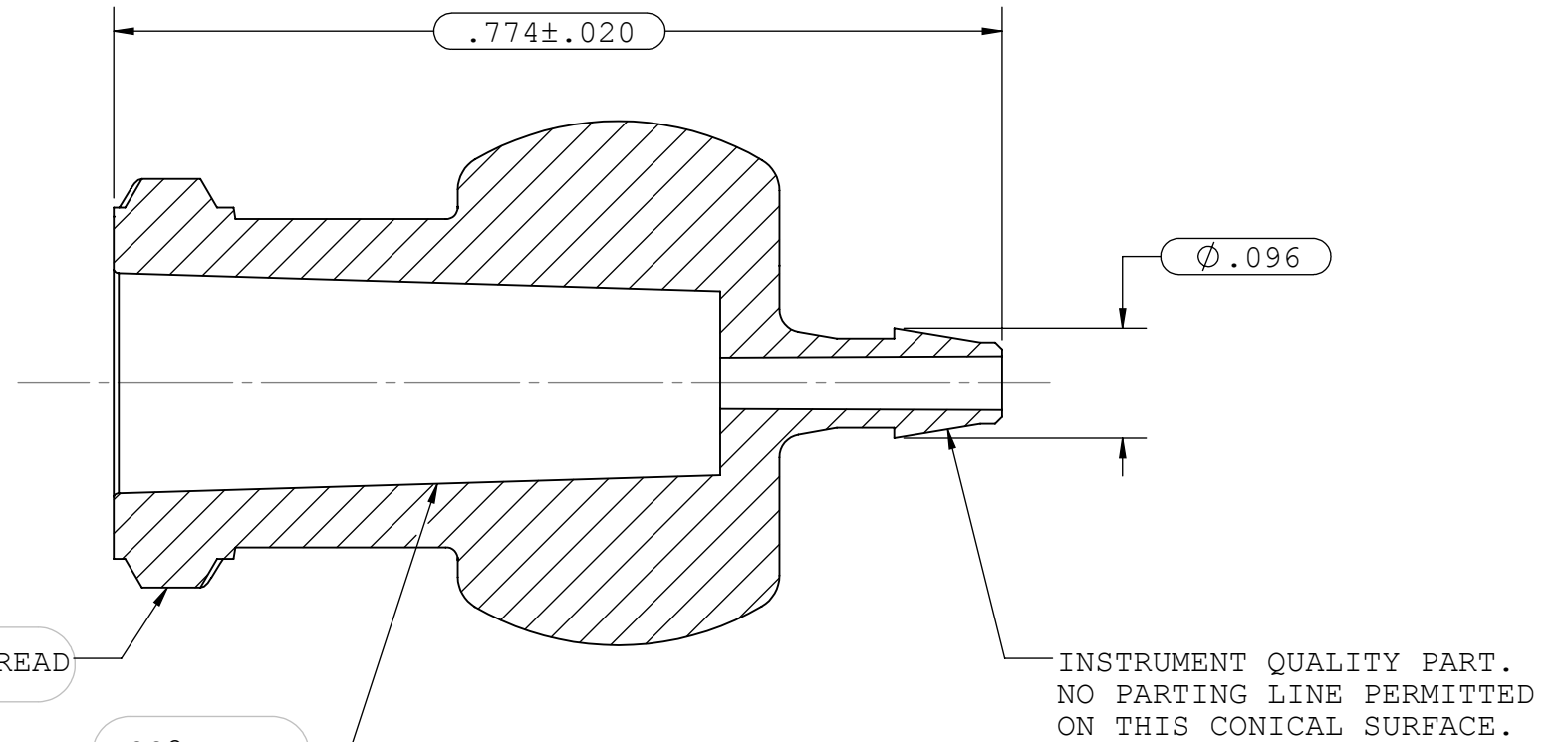
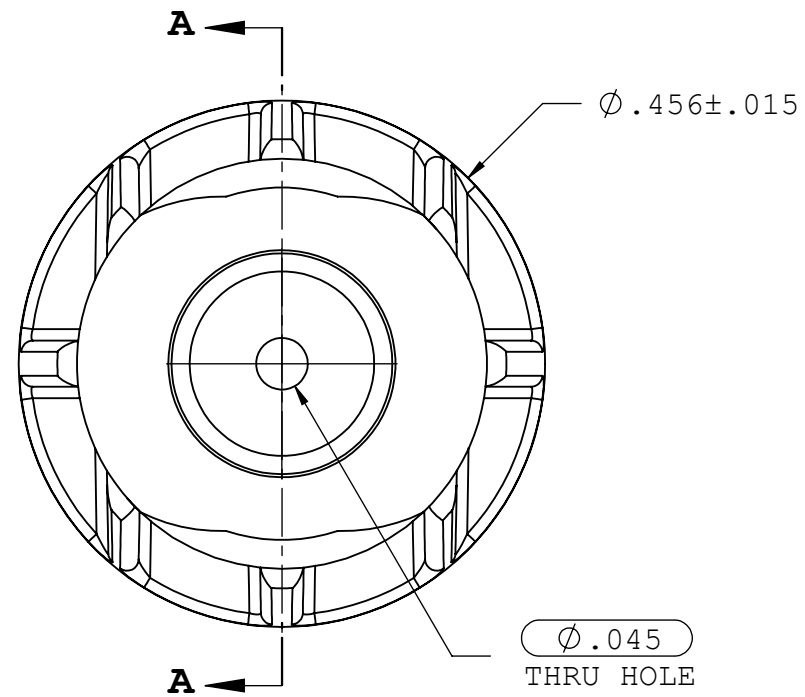
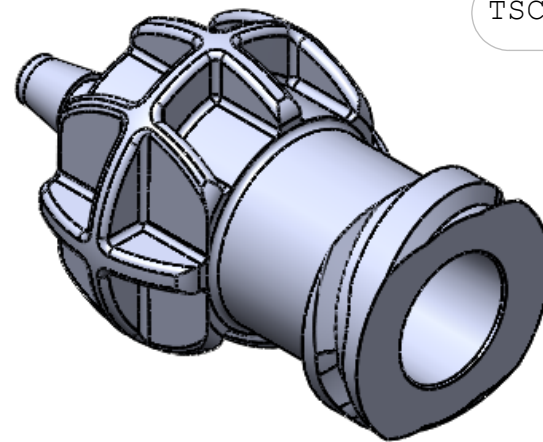


NOTES: FOR ADDITIONAL DETAILS, PLEASE CONTACT VP CUSTOMER SERVICE  
 DIMENSIONS MARKED  $\phi$  ARE CONTROL DIMENSIONS

REVISIONS			
REV.	DESCRIPTION	DATE	APPROVED
A	INITIAL RELEASE	12/1/10	S.N.R



**SECTION A-A**



UNLESS OTHERWISE SPECIFIED DIMENSIONS ARE IN INCHES TOLERANCES ARE:		<b>VALUE PLASTICS, INC</b>			
FRACTIONS    DECIMAL    ANGULAR ±            .XX ±.01            ± 1° .XXX ±.005 .XXXX ±.001		PART NUMBER: TSC2F210			
DO NOT SCALE DRAWING		DESCRIPTION: Female Thread Style Taper Fitting to 200 Series Barb, 1/16" (1.60mm) ID Tubing			
DRAWN BY: kyles	DATE: 12/1/2010	SIZE: <b>B</b>	SCALE: NTS	VER: 	DWG. NO. 1234567
NEW PRODUCT DEVELOPMENT MGR: R. Narayanan		© 2009 VALUE PLASTICS, INC			REV A
SHEET: 1 OF 1					

**FOR REFERENCE ONLY**