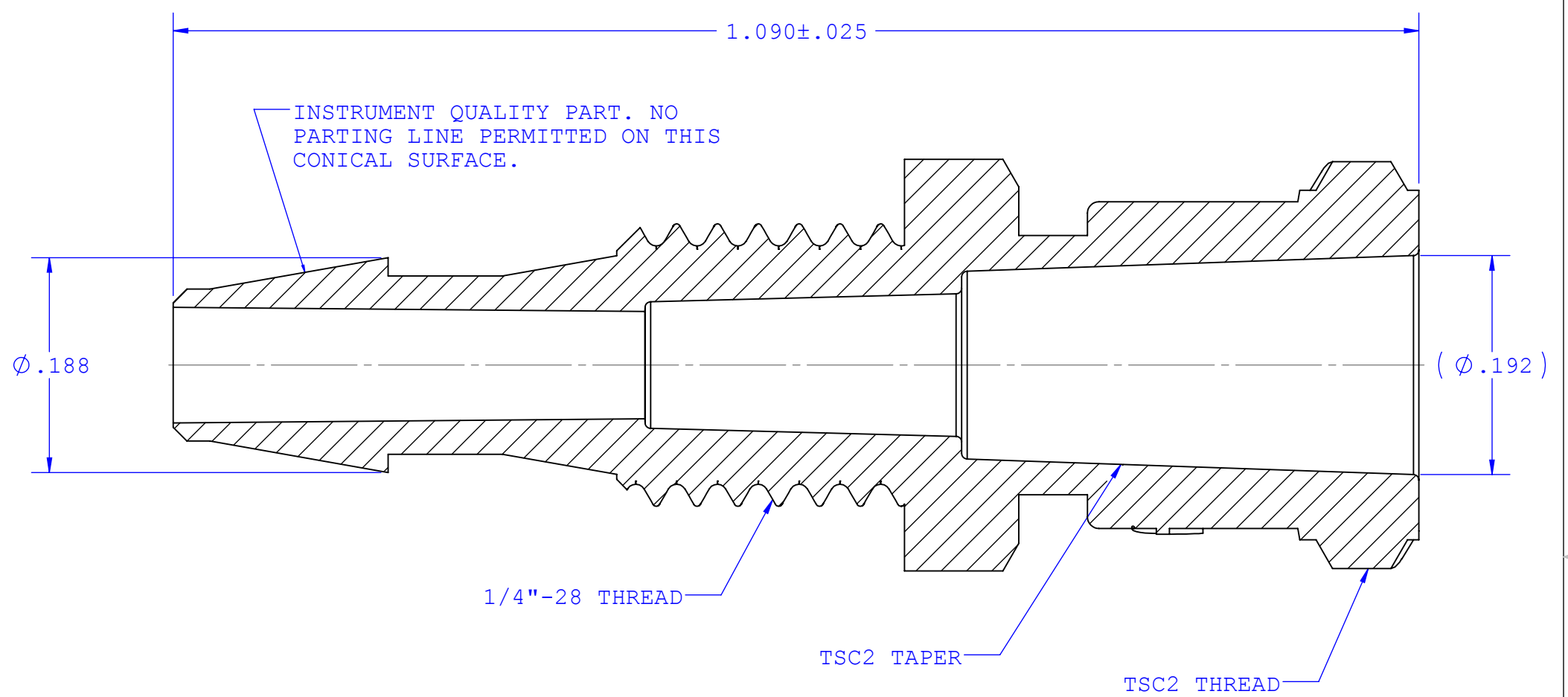
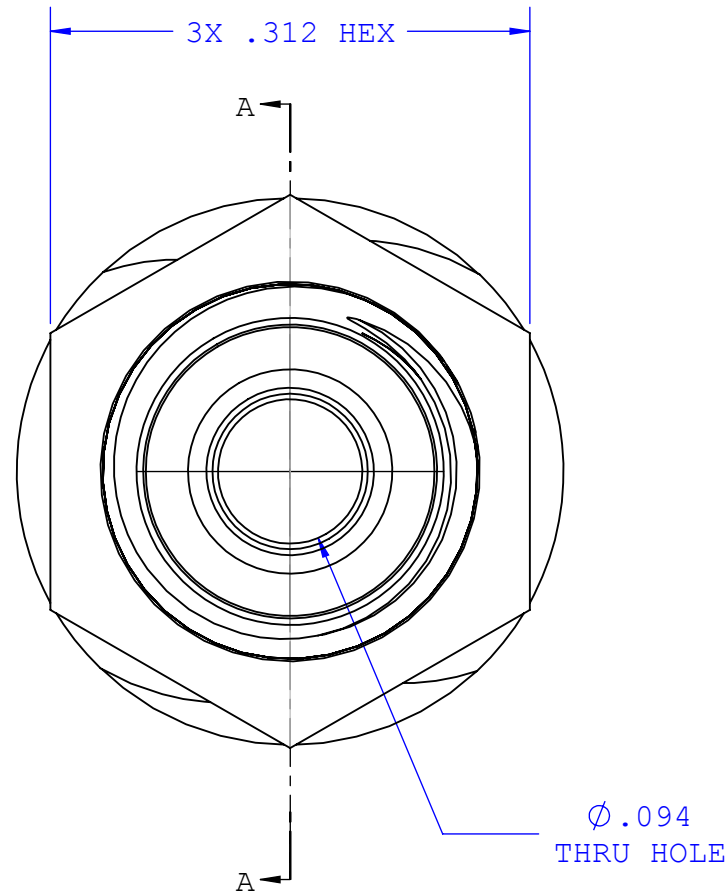
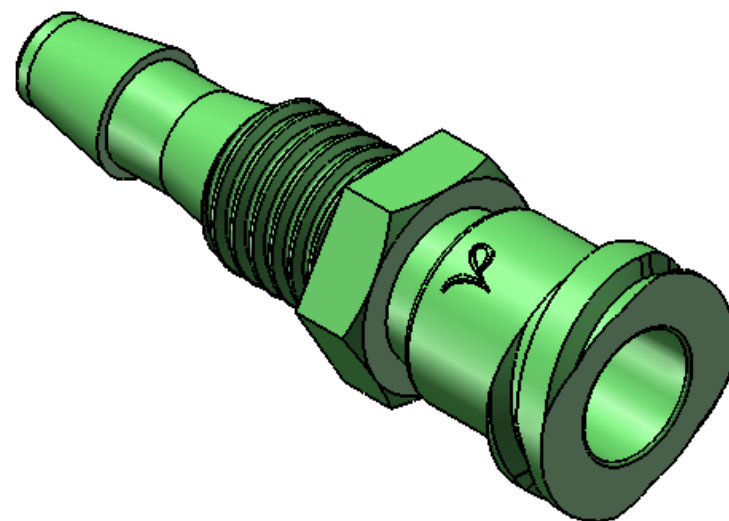


NOTES: FOR ADDITIONAL DETAILS, PLEASE CONTACT VP PRODUCT DEVELOPMENT
 DIMENSIONS MARKED  ARE CONTROL DIMENSIONS

REVISIONS			
REV.	DESCRIPTION	DATE	APPROVED
A	INITIAL RELEASE	01/07/09	Rick C.



SECTION A-A



UNLESS OTHERWISE SPECIFIED DIMENSIONS ARE IN INCHES TOLERANCES ARE:		VALUE PLASTICS, INC			
FRACTIONS DECIMAL ANGULAR ± .XX ±.01 ± 1° .XXX ±.005 .XXXX ±.001		PART NUMBER: TSC2FB230			
DO NOT SCALE DRAWING		DESCRIPTION: Female Thread Style Fitting Panel Mount 1/4-28 UNF to 200 Series Barb, 1/8" (3mm) ID Tubing			
DRAWN BY: randy.sakurada	DATE: 1/16/2009	SIZE: B	SCALE: NTS	VER: 	DWG. NO. REV 1014369 A
ENGINEERING MGR: R. Cairns		© 2008 VALUE PLASTICS, INC			SHEET: 1 OF 1

FOR REFERENCE ONLY