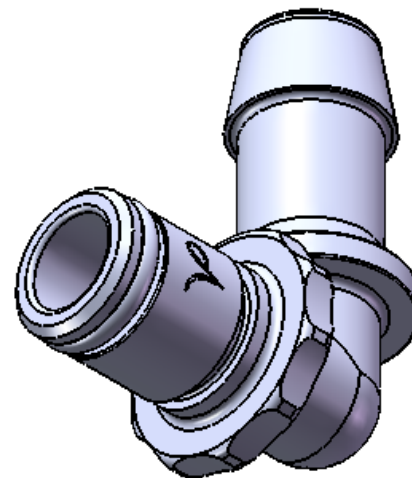
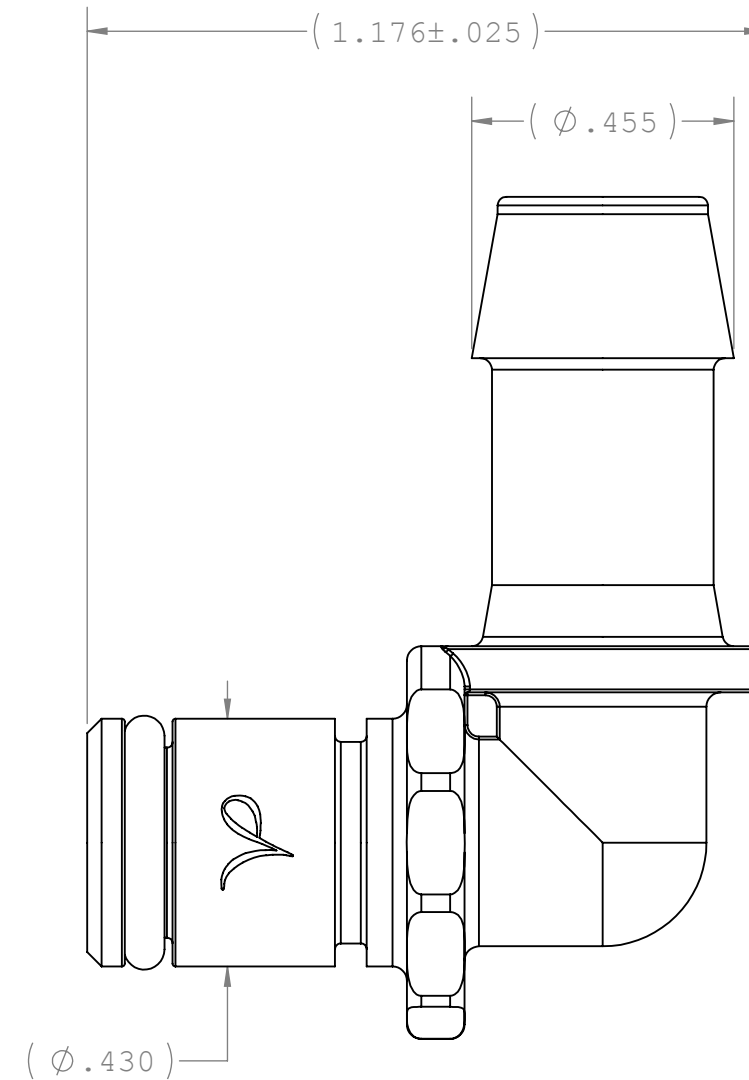
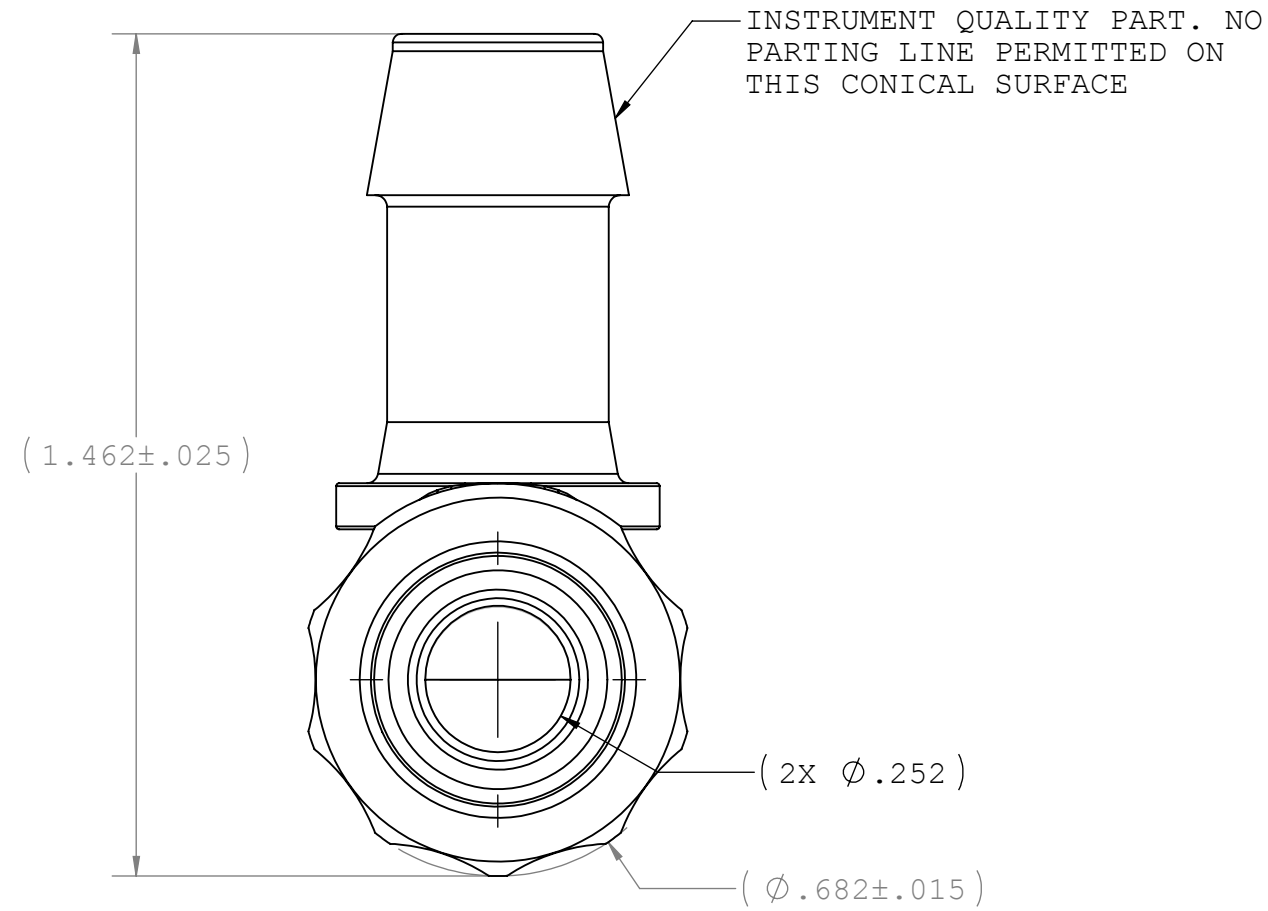


NOTES: FOR MORE DETAILS SEE YOUR V.P. SERVICE REP.

REVISIONS			
REV.		DATE	APPROVED
A	INITIAL RELEASE	06-11-08	S.N.R



UNLESS OTHERWISE SPECIFIED DIMENSIONS ARE IN INCHES TOLERANCES ARE:		VALUE PLASTICS, INC			
FRACTIONS DECIMAL ANGULAR ± .XX ±.01 ± 1° .XXX ±.005 .XXXX ±.001		PART NUMBER: XQCLM770			
DO NOT SCALE DRAWING		DESCRIPTION: XQC Series Male Open Flow Elbow Connector, 700 Series Barb, 3/8" (9.5 mm) ID Tubing			
DRAWN BY: Frank.Lombardi	DATE: 6/12/2008	SIZE: B	SCALE: NTS	DWG. NO. 1010827	REV A
NEW PRODUCT DEVELOPMENT MGR: R. Narayanan		2007 VALUE PLASTICS, INC		SHEET: 1 OF 1	

FOR REFERENCE ONLY