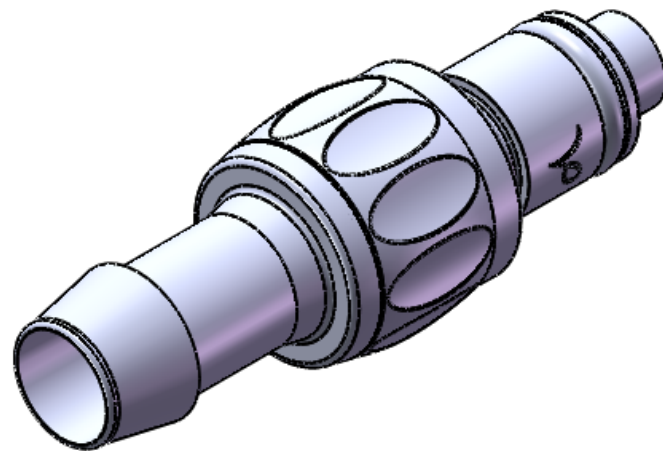
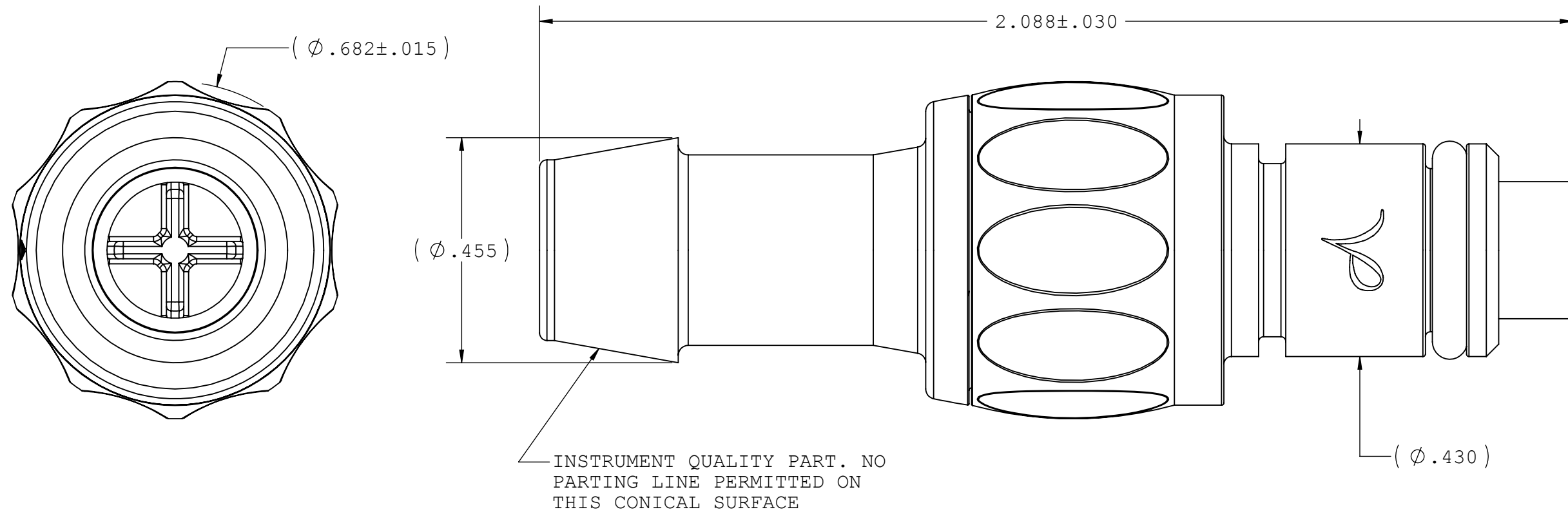


NOTES: FOR MORE DETAILS SEE YOUR V.P. SERVICE REP.

REVISIONS			
REV.	DESCRIPTION	DATE	APPROVED
C	PRODUCTION RELEASE	06-01-07	S.N.R
D	ECO063 ADDED POLYPROPYLENE (-6006) MATERIAL	10-19-07	S.N.R
E	ECO080	06-04-08	S.N.R
F	ECO 093	11-5-08	S.N.R
G	ECO 111	06-01-09	S.N.R



UNLESS OTHERWISE SPECIFIED DIMENSIONS ARE IN INCHES TOLERANCES ARE:		VALUE PLASTICS, INC		
FRACTIONS	DECIMAL			
\pm	.XX $\pm .01$	$\pm 1^\circ$		
	.XXX $\pm .005$			
	.XXXX $\pm .001$			
DO NOT SCALE DRAWING			PART NUMBER: XQCV770	
DESCRIPTION: XQC Series Male Valved Connector, 700 Series Barb, 3/8" (9.5 mm) ID Tubing			DRAWN BY: Frank.Lombardi	
DATE: 6/1/2009	SIZE: B	SCALE: NTS	DWG. NO. 1010108	REV G
NEW PRODUCT DEVELOPMENT MGR: R. Narayanan		2007 VALUE PLASTICS, INC		SHEET: 1 OF 1

FOR REFERENCE ONLY