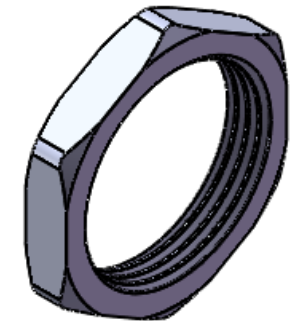
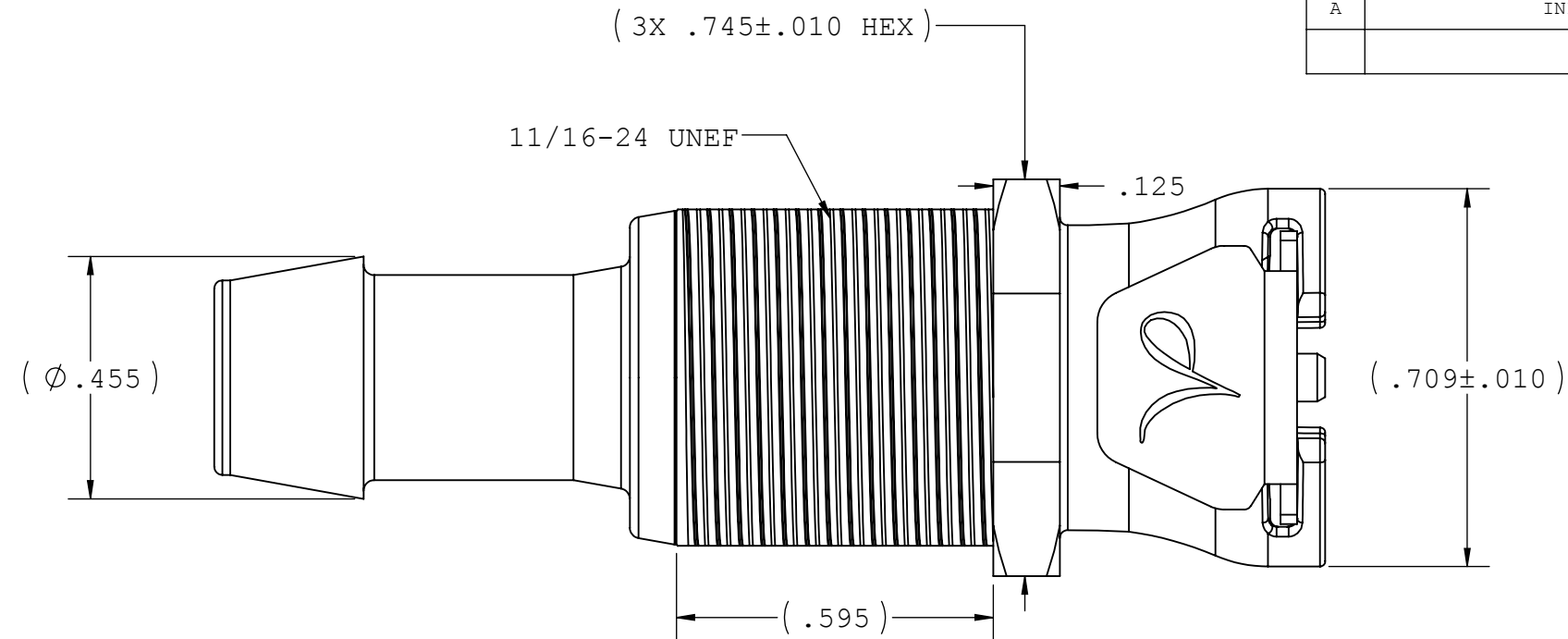
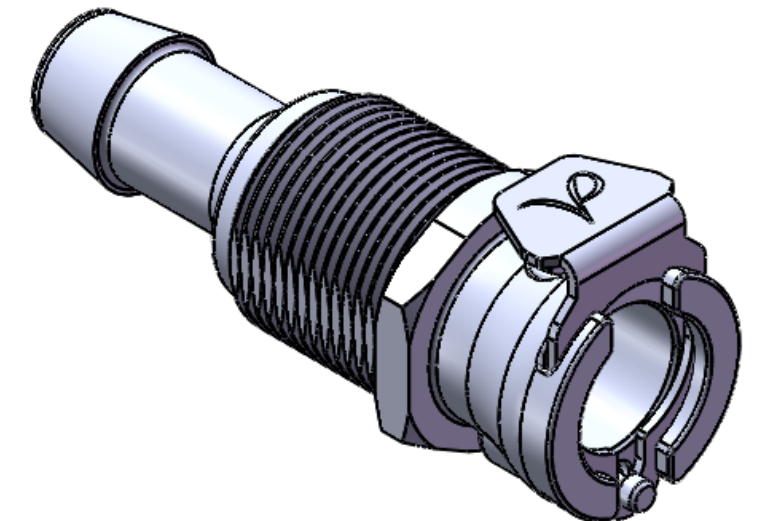
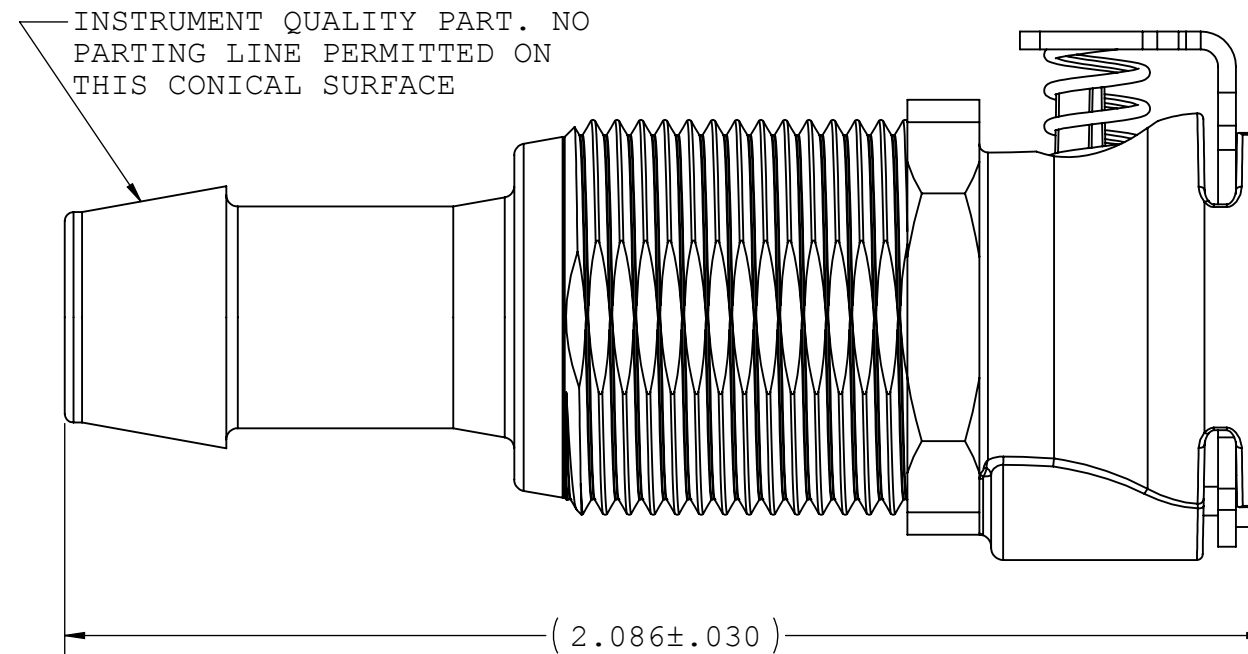
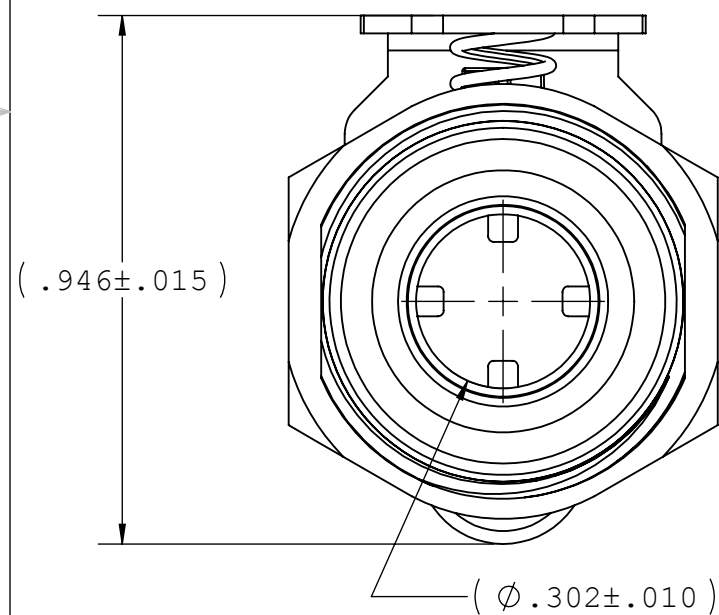


NOTES: FOR MORE DETAILS SEE YOUR V.P. SERVICE REP.

REVISIONS			
REV.	DESCRIPTION	DATE	APPROVED
A	INITIAL RELEASE	04-08-11	S.N.R



FOR USE W/ PM4N



UNLESS OTHERWISE SPECIFIED DIMENSIONS ARE IN INCHES		VALUE PLASTICS, INC			
FRACTIONS	DECIMAL				
±	±.01 ±.005 ±.001	± 1°	QXS Series Female Open Flow Panel Mount Connector, 700 Series Barb, 3/8" (9.5 mm) ID Tubing		
DO NOT SCALE DRAWING		DATE:	SIZE:	SCALE:	DWG. NO.
		4/8/2011	B	NTS	1020152
NEW PRODUCT DEVELOPMENT MGR:					REV A
2007 VALUE PLASTICS, INC				SHEET:	1 OF 1

FOR REFERENCE ONLY