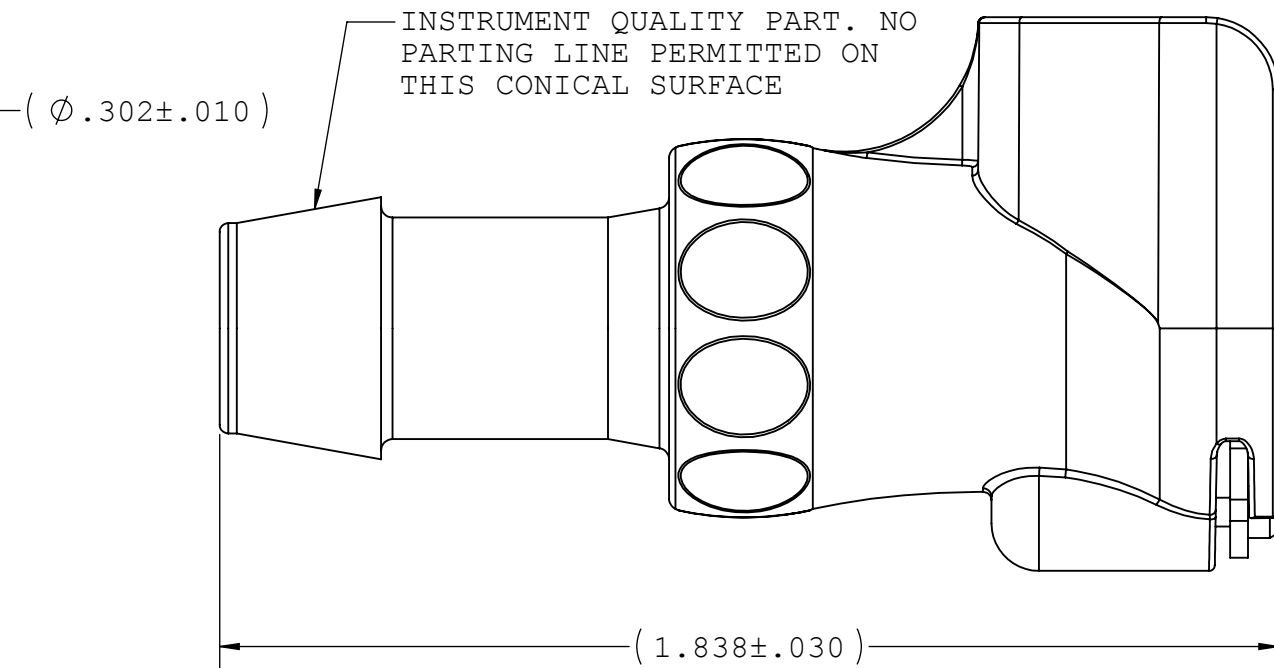
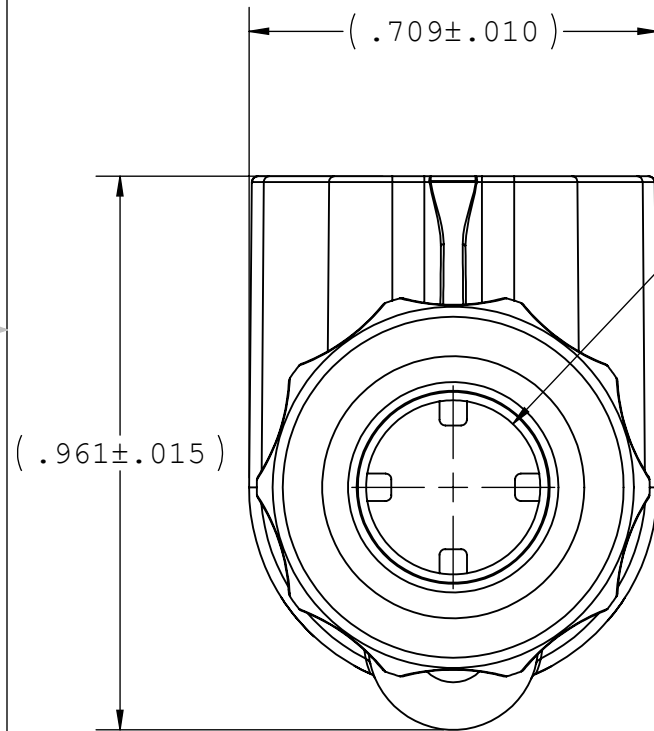
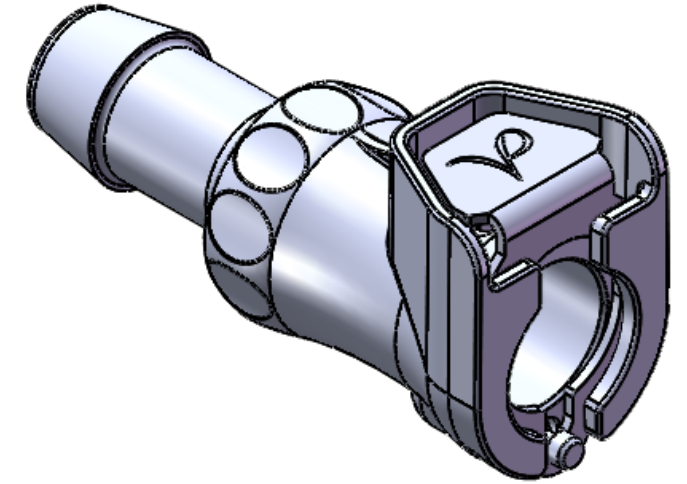
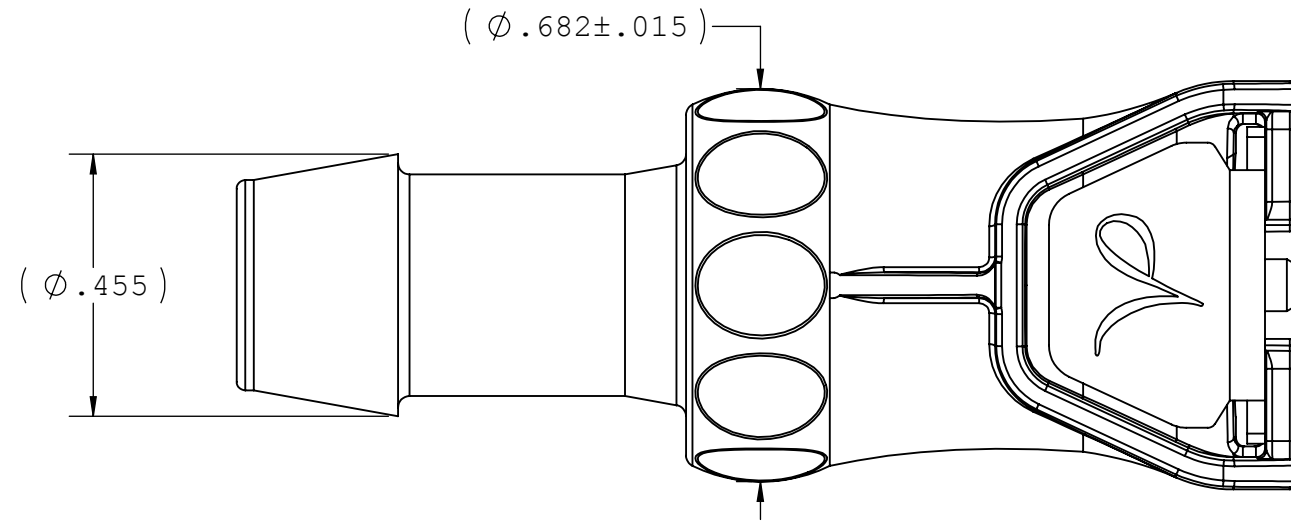


NOTES: FOR MORE DETAILS SEE YOUR V.P. SERVICE REP.

| REVISIONS | | | |
|-----------|-----------------|----------|----------|
| REV. | DESCRIPTION | DATE | APPROVED |
| A | INITIAL RELEASE | 04-01-11 | S.N.R |
| | | | |



| | | | | |
|---|-------------------|--|---------------|---------------------|
| UNLESS OTHERWISE SPECIFIED DIMENSIONS ARE IN INCHES TOLERANCES ARE: | | VALUE PLASTICS, INC | | |
| FRACTIONS DECIMAL ANGULAR ± .XX ±.01 ± 1° .XXX ±.005 .XXXX ±.001 | | PART NUMBER: XQSF770 | | |
| DO NOT SCALE DRAWING | | DESCRIPTION: XQS Series Female Open Flow Connector, 700 Series Barb, 3/8" (9.5 mm) ID Tubing | | |
| DRAWN BY: Frank.Lombardi | DATE: 4/1/2011 | SIZE: B | SCALE: NTS | DWG. NO. 1018222 |
| NEW PRODUCT DEVELOPMENT MGR: R. Narayanan | | 2007 VALUE PLASTICS, INC | | REV A |
| SHEET: 1 OF 1 | | | | |

FOR REFERENCE ONLY