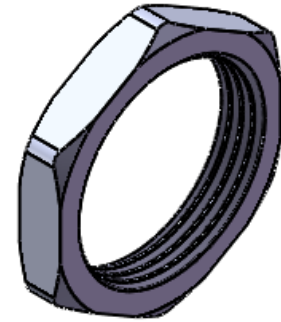
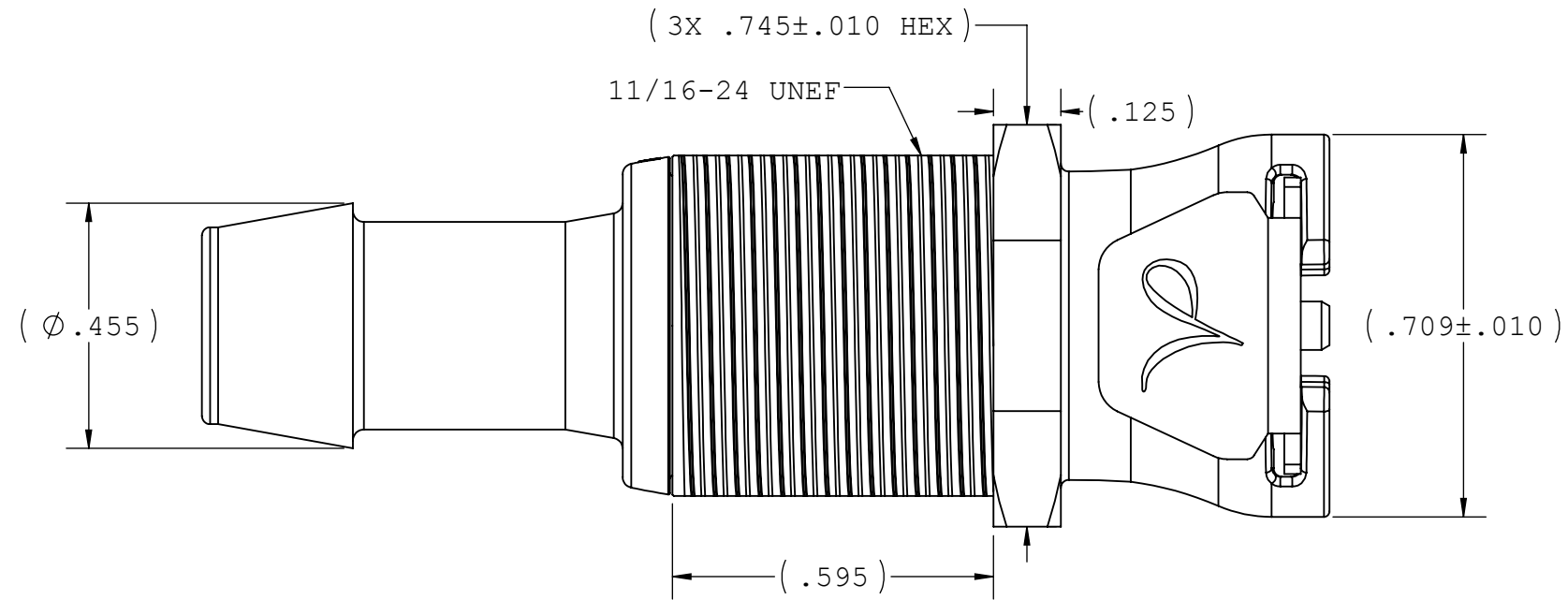
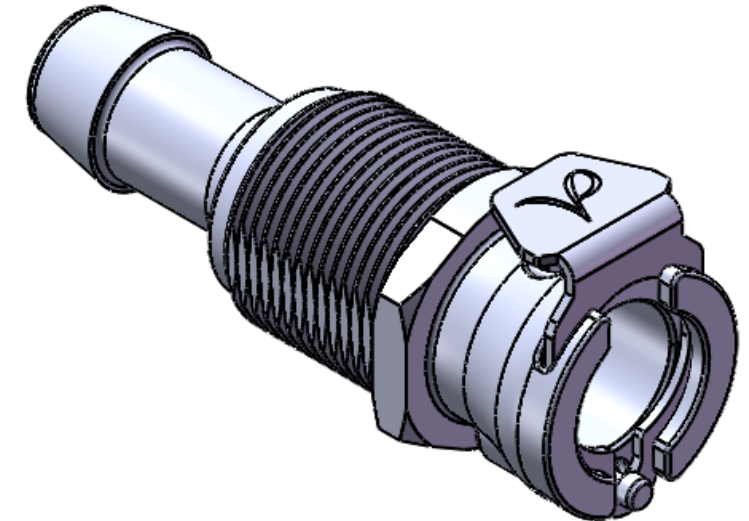
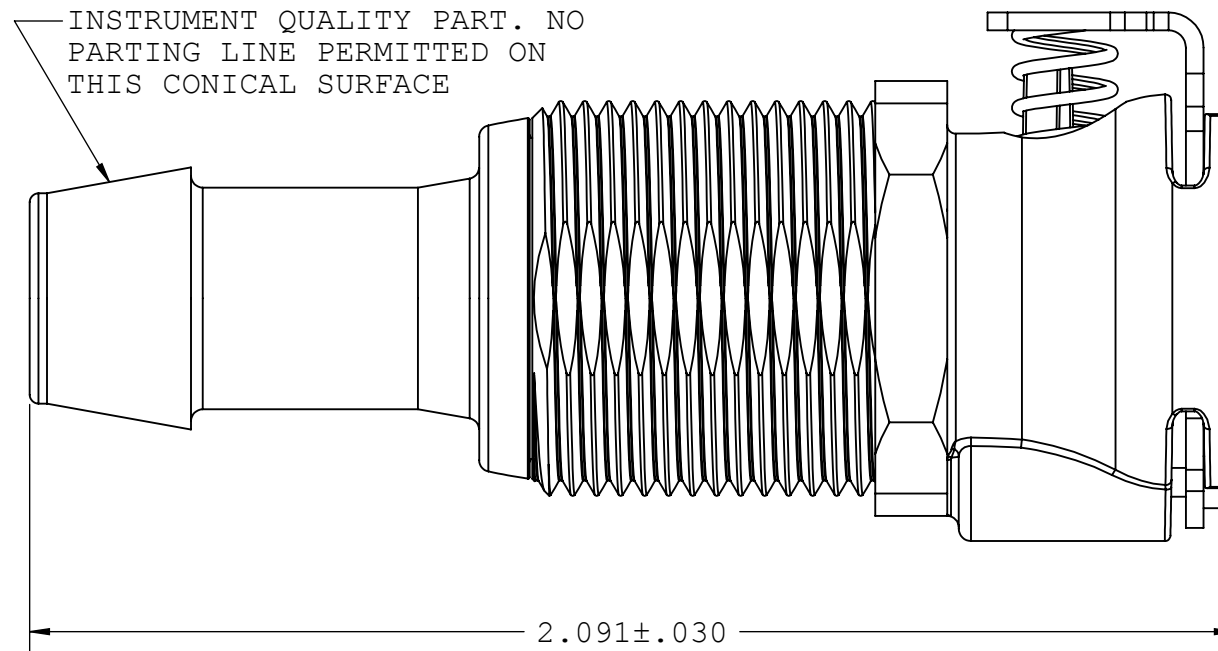
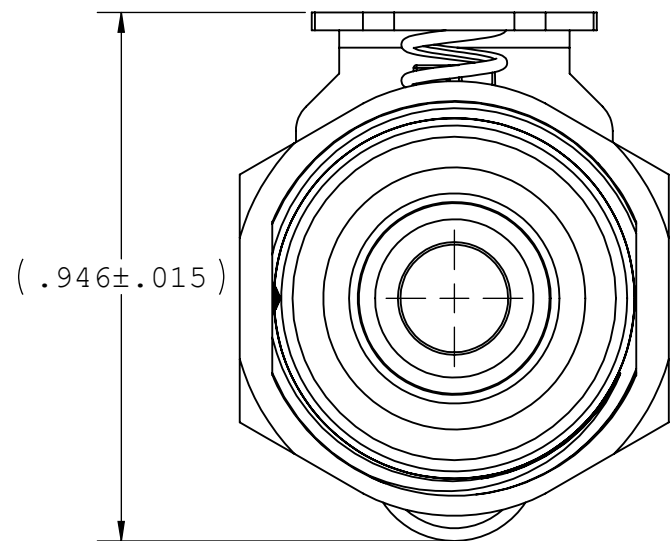


NOTES: FOR MORE DETAILS SEE YOUR V.P. SERVICE REP.

REVISIONS			
REV.	DESCRIPTION	DATE	APPROVED
A	INITIAL RELEASE	05-05-11	S.N.R



FOR USE W/ PM4N



UNLESS OTHERWISE SPECIFIED DIMENSIONS ARE IN INCHES TOLERANCES ARE:		VALUE PLASTICS, INC				
FRACTIONS	DECIMAL					ANGULAR
± .XX	± .01	± 1°	PART NUMBER: XQSVBF770			
± .XXX	± .005		DESCRIPTION: XQS Series Female Valved Panel Mount Connector, 700 Series Barb, 3/8" (9.6 mm) ID Tubing			
± .XXXX	± .001		SIZE: B	SCALE: NTS	DWG. NO. 1020154	REV: A
DO NOT SCALE DRAWING		2011 VALUE PLASTICS, INC				
DRAWN BY: Frank.Lombardi	DATE: 5/9/2011	SHEET: 1 OF 1				
NEW PRODUCT DEVELOPMENT MGR: R. Narayanan						

FOR REFERENCE ONLY