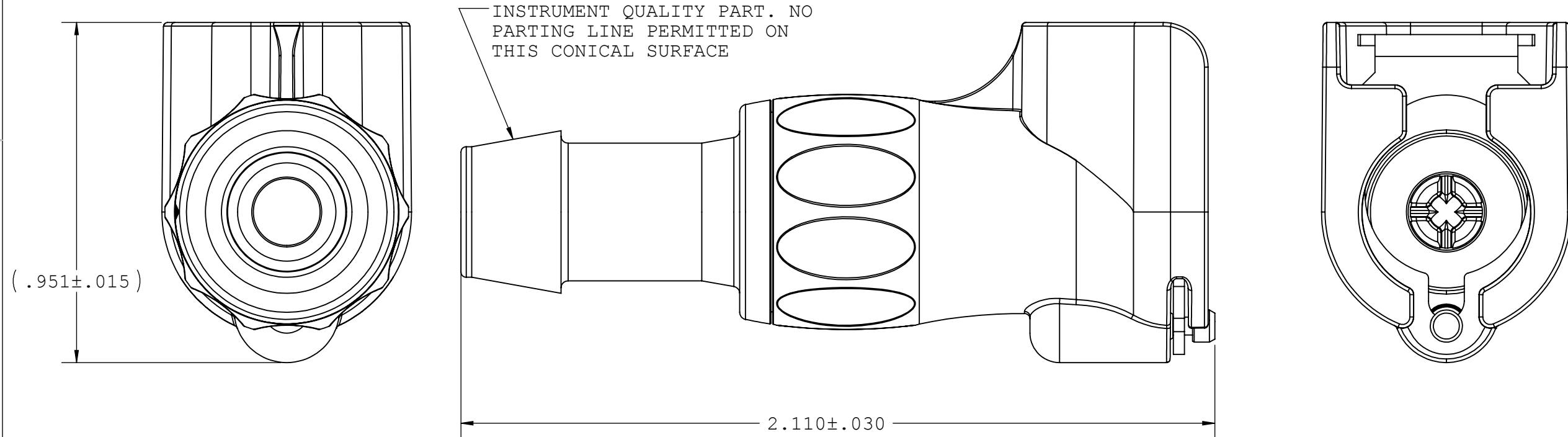
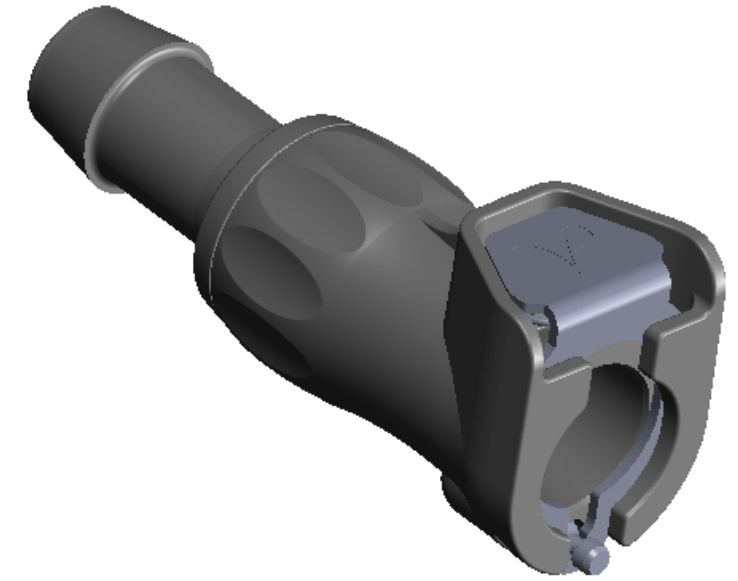
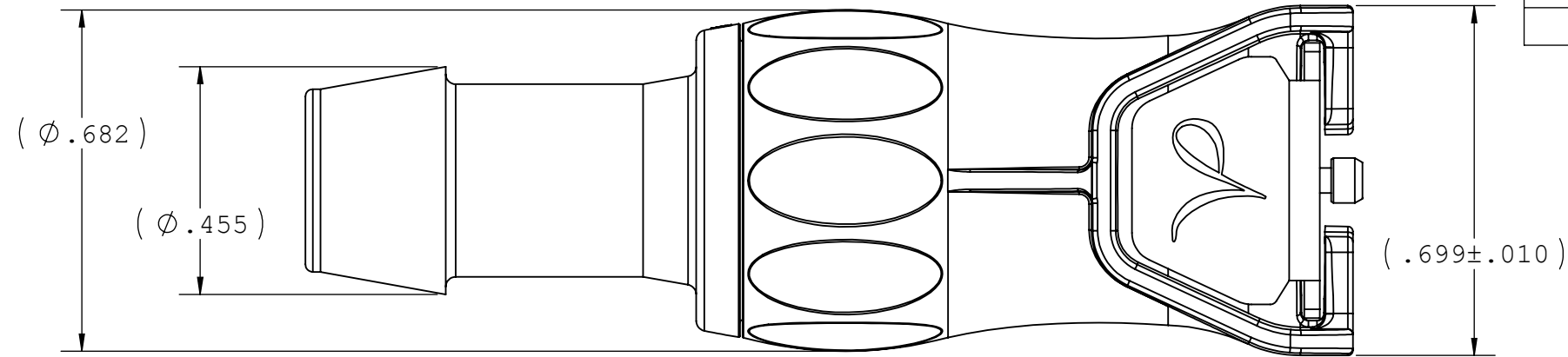


NOTES: FOR MORE DETAILS SEE YOUR V.P. SERVICE REP.

REVISIONS			
REV.	DESCRIPTION	DATE	APPROVED
A	INITIAL RELEASE	10-27-10	S.N.R



UNLESS OTHERWISE SPECIFIED DIMENSIONS ARE IN INCHES TOLERANCES ARE:		VALUE PLASTICS, INC			
FRACTIONS DECIMAL ANGULAR ± ±.01 ± 1° .XXX ±.005 .XXXX ±.001 DO NOT SCALE DRAWING		XQSVF770			
		XQ Series Female Valved Connector, 700 Series Barb, 3/8" (9.5 mm) ID Tubing			
Frank.Lombardi	DATE:	SIZE: B	SCALE: NTS	VER:	DWG. NO. 1017925
NEW PRODUCT DEVELOPMENT MGR:					REV A
				© 2009 VALUE PLASTICS, INC	SHEET: 1 OF 1

FOR REFERENCE ONLY